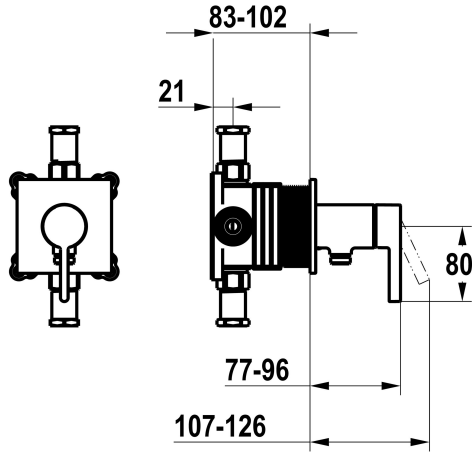


KWC BEVO Trim kit - lever mixer - shower

Modell-Linie: BEVO | 21.424.550.175
Showers | Manual shower



KWC-No.

| |
|---|
| 125291 chromeline, with safety device DIN EN 1717 |
| 3600018620 brushed gold, with safety device DIN EN 1717 |
| 3600008122 brushed steel, with safety device DIN EN 1717 |
| 3600008121 matt black, with safety device DIN EN 1717 |
| 3600018609 brushed copper, with safety device DIN EN 1717 |
| 3600018623 brushed graphite, with safety device DIN EN 1717 |

Farbcode

| |
|------------------|
| chromeline |
| brushed gold |
| brushed steel |
| matt black |
| brushed copper |
| brushed graphite |

NEW

- * Trim kit with function unit KWC HOMEBOX
- * Outflow
 - with integrated hose connection
- * KWC cartridge M 35-S HF
 - with ceramic discs
 - flow rate and temperature continuously variable

- * Scope of delivery:
 - Lever mixer unit - with integrated hose connection
 - Fastening of the cover plate without screws
 - * To be ordered separately:
 - Unit for concealed installation KWC HOMEBOX Lever mixer 1
- Consumers 39.006.251.931

Technical Data

| | |
|-------------------------|----------------------------|
| Durchflussmenge | 16 l/min (3 bar) |
| Bedienung | frontbedient |
| Farbcode | brushed gold |
| Installationsart | Wandmontage |
| Artikeltyp | Hebelmischer |
| Armaturengeräuschgruppe | I |
| Unterputz | FM-Set, mit SI DIN EN 1717 |
| Energieetikette (CH) | C |
| Material | Messing |
| Höhe maximal | 100 mm |
| Breite maximal | 100 mm |



Spare Parts

KWC BEVO

Trim kit - lever mixer - shower

Modell-Linie: BEVO | 21.424.550.175

Showers | Manual shower



Control cartridge

537602

Z.537.602
