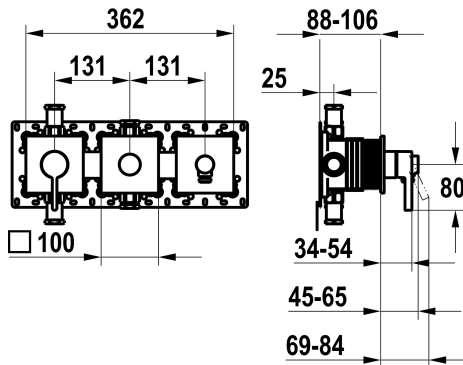


KWC BEVO Trim kit - lever mixer - tub

Modell-Linie: BEVO | 20.424.550.179
Showers | Exposed bath mixer



KWC-No.

125295 chromeline, with safety device DIN EN 1717
3600018607 brushed gold, with safety device DIN EN 1717
3600008115 matt black, with safety device DIN EN 1717
3600008123 brushed steel, with safety device DIN EN 1717
3600018611 brushed copper, with safety device DIN EN 1717
3600018608 brushed graphite, with safety device DIN EN 1717

Farbcode

chromeline
brushed gold
matt black
brushed steel
brushed copper
brushed graphite

NEW

- * Trim kit with function unit KWC HOMEBOX
- * Outflow
 - with integrated hose connection
 - above or below for the second consumer with CHOICE diverter without automatic reset
- * KWC cartridge M 35-S HF
 - with ceramic discs
 - flow rate and temperature continuously variable

- * Scope of delivery:
 - Lever mixer unit
 - Diverter unit
 - Hose connection unit
 - Fastening of the cover plate without screws
- * To be ordered separately:
 - Unit for concealed installation KWC HOMEBOX Thermostatic/lever mixer 2 consumers 39.006.261.931

Technical Data

Débit	19.2 l/min (3 bar)
Sortie de douche: Débit	15.2 l/min (3 bar)
Commande	FRONTBEDIENT
Code couleur	brushed graphite
Type d'installation	WANDMONTAGE
Type d'article	HEBELMISCHER
Groupe de bruit pour la robinetterie	II
Unité de base	FM-SET MIT SI
Sortie de douche: Groupe de bruit pour la robinetterie	I
Label énergétique (CH)	C
Matière	Laiton
Hauteur maximale	100 mm
Largeur maximale	362 mm



Spare Parts

KWC BEVO

Trim kit - lever mixer - tub

Modell-Linie: BEVO | 20.424.550.179

Showers | Exposed bath mixer



Control cartridge

537602

Z.537.602
