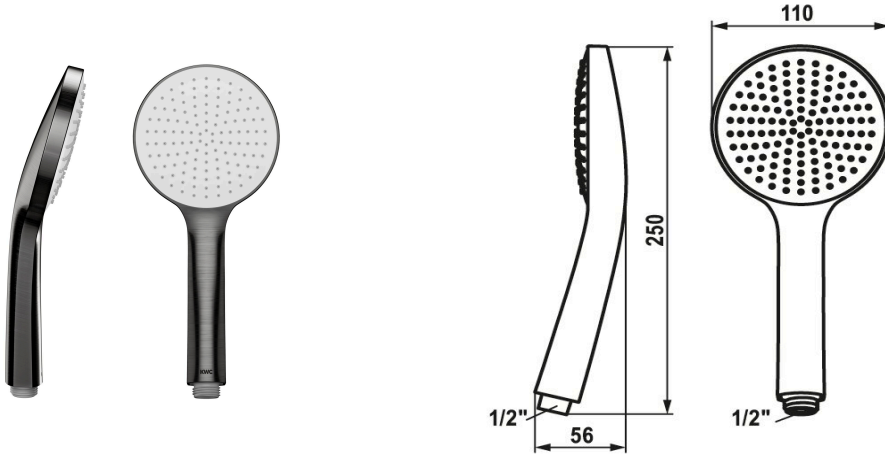


## KWC FIT-E Hand shower eco

Modell-Linie: FIT-E | 26.000.131.179  
Showers | Hand showers



### KWC-No.

**125281**  
chromeline

**3600013733**  
brushed gold

**3600007766**  
matt black

**3600007767**  
brushed steel

**3600013734**  
brushed copper

**3600013735**  
brushed graphite

\* Hand shower KWC FIT-E eco  
\* TouchProtect - anti-scald protection thanks to the "double skin" principle

### Technical Data

A\_Spout\_Spray

Connection

Color\_code

Article type

Spray\_type

G\_Acoustic group

Energy Label (CH)

material

### Color\_code

chromeline

brushed gold

matt black

brushed steel

brushed copper

brushed graphite

\* Cleaning-friendly faceplate  
\* Connecting thread 1/2"  
\* Jet type ecojet

6 l/min (3 bar)

G 1/2"

brushed graphite

Hand shower

ecoJet

I

A

Plastic

NEW

