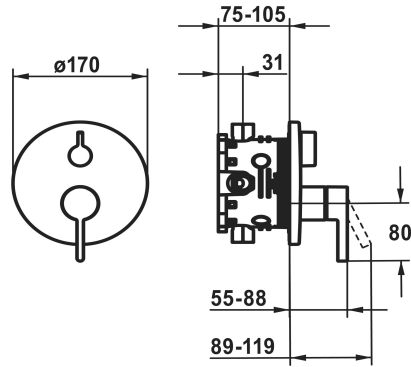


## KWC BEVO Trim kit - lever mixer - tub

Modell-Linie: BEVO | 20.424.510.175  
Showers | Exposed bath mixer



### KWC-No.

**124634**  
chromeline

**124636**  
chromeline, with safety device DIN EN 1717

**3600013570**  
brushed gold

**3600013576**  
brushed gold, with safety device DIN EN 1717

**125027**  
matt black

**125028**  
matt black, with safety device DIN EN 1717

**125054**  
brushed steel

**125055**  
brushed steel, with safety device DIN EN 1717

**3600013571**  
brushed copper

**3600013565**  
brushed copper, with safety device DIN EN 1717

**3600013572**  
brushed graphite

**3600013579**  
brushed graphite, with safety device DIN EN 1717

### Color\_code

chromeline

chromeline

brushed gold

brushed gold

matt black

matt black

brushed steel

brushed steel

brushed copper

brushed copper

brushed graphite

brushed graphite

### Concealed\_unit

Trim kit

Trim kit, with vacuum breaker

Trim kit

Trim kit, with vacuum breaker

Trim kit

Trim kit, with vacuum breaker

Trim kit

Trim kit, with vacuum breaker

Trim kit

Trim kit, with vacuum breaker

Trim kit

Trim kit, with vacuum breaker

NEW

- \* Trim kit with function unit
- \* Outflow top and below
- \* Turning handle for diverter
- \* KWC cartridge M 35 H
- with ceramic discs
- flow rate and temperature continuously variable
- \* Scope of delivery:

- Function unit, lever, cap, sleeve, cover plate, holder for escutcheon, diverter
- Fastening of the cover plate without screws
- \* To be ordered separately:
- Unit for concealed installation KWC BLUEBOX®
- ½", without shut-off valve, 39.999.900.931
- ¾" (½"), with shut-off valve, 39.999.910.931

### Technical Data

A\_Outlet (UP)

19 l/min (3 bar)

Diameter

D170

Handling

front lever

Color\_code

brushed gold

Installation\_type

Wall mounted

Article type

Lever mixer



## KWC BEVO

Trim kit - lever mixer - tub

**Modell-Linie: BEVO | 20.424.510.175**

Showers | Exposed bath mixer

G\_Acoustic group

---

Concealed\_unit

---

Energy Label (CH)

---

material

---

I

---

Trim kit, with vacuum breaker

---

C

---

Brass

---

### Spare Parts



#### Control cartridge

---

**538327**

Z.537.582

---