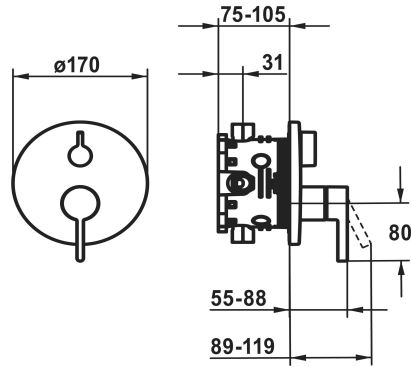


## KWC BEVO Trim kit - lever mixer - tub

Modell-Linie: BEVO | 20.424.500.179  
Showers | Exposed bath mixer



KWC-No.	Color_code	Concealed_unit
<b>124634</b> chromeline	chromeline	Trim kit
<b>124636</b> chromeline, with safety device DIN EN 1717	chromeline	Trim kit, with vacuum breaker
<b>3600013570</b> brushed gold	brushed gold	Trim kit
<b>3600013576</b> brushed gold, with safety device DIN EN 1717	brushed gold	Trim kit, with vacuum breaker
<b>125027</b> matt black	matt black	Trim kit
<b>125028</b> matt black, with safety device DIN EN 1717	matt black	Trim kit, with vacuum breaker
<b>125054</b> brushed steel	brushed steel	Trim kit
<b>125055</b> brushed steel, with safety device DIN EN 1717	brushed steel	Trim kit, with vacuum breaker
<b>3600013571</b> brushed copper	brushed copper	Trim kit
<b>3600013565</b> brushed copper, with safety device DIN EN 1717	brushed copper	Trim kit, with vacuum breaker
<b>3600013572</b> brushed graphite	brushed graphite	Trim kit
<b>3600013579</b> brushed graphite, with safety device DIN EN 1717	brushed graphite	Trim kit, with vacuum breaker

**NEW**

- \* Trim kit with function unit
- \* Outflow top and below
- \* Turning handle for diverter
- \* KWC cartridge M 35 H
- with ceramic discs
- flow rate and temperature continuously variable
- \* Scope of delivery:

- Function unit, lever, cap, sleeve, cover plate, holder for escutcheon, diverter
- Fastening of the cover plate without screws
- \* To be ordered separately:
- Unit for concealed installation KWC BLUEBOX®
- ½", without shut-off valve, 39.999.900.931
- ¾" (½"), with shut-off valve, 39.999.910.931

### Technical Data

A_Outlet (UP)	19 l/min (3 bar)
Diameter	D170
Handling	front lever
Color_code	brushed graphite
Installation_type	Wall mounted
Article type	Lever mixer



## KWC BEVO

Trim kit - lever mixer - tub

**Modell-Linie: BEVO | 20.424.500.179**

Showers | Exposed bath mixer

G\_Acoustic group

---

Concealed\_unit

---

Energy Label (CH)

---

material

---

I

---

Trim kit

---

C

---

Brass

---

### Spare Parts



#### Control cartridge

---

**538327**

Z.537.582

---