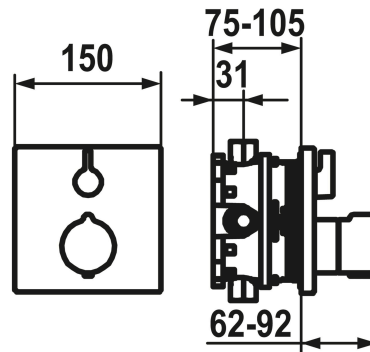


KWC

Trim kit - thermostatic mixer - tub design

Modell-Linie: **SHOWERCULTURE** | 20.004.811.178

Showers | Exposed bath mixer



KWC-No.

124009
chromeline

124010
chromeline, with safety device DIN EN 1717

3600013480
brushed gold

3600013474
brushed gold, with safety device DIN EN 1717

125546
matt black

125547
matt black, with safety device DIN EN 1717

124968
brushed steel

124969
brushed steel, with safety device DIN EN 1717

3600013472
brushed copper

3600013482
brushed copper, with safety device DIN EN 1717

3600013473
brushed graphite

3600013483
brushed graphite, with safety device DIN EN 1717

Farbcode

chromeline

chromeline

brushed gold

brushed gold

matt black

matt black

brushed steel

brushed steel

brushed copper

brushed copper

brushed graphite

brushed graphite

Unterputz

FM-Set

FM-Set, mit SI DIN EN 1717

FM-Set

FM-Set, mit SI DIN EN 1717

FM-Set

FM-Set, mit SI DIN EN 1717

FM-Set

FM-Set, mit SI DIN EN 1717

FM-Set

FM-Set, mit SI DIN EN 1717

FM-Set

FM-Set, mit SI DIN EN 1717

NEW

- * Trim kit with thermostatic function unit design
- * Outflow top and below
- * SkinProtect - Safety stop prevents scalding
- * Turning handle to control flow and for diverter
- * Intrinsically safe against backflow
- * Scope of delivery:
 - Function unit, temperature lever, sleeve, cover plate, holder for

- escutcheon handle to control flow and for diverter
 - Fastening of the cover plate without screws
- * To be ordered separately:
 - Unit for concealed installation KWC BLUEBOX®
 - ½", without shut-off valve, 39.999.900.931
 - ¾" (½"), with shut-off valve, 39.999.910.931

Technical Data

Durchflussmenge	19 l/min (3 bar)
Durchmesser	150 x 150
Bedienung	frontbedient
Farbcode	brushed copper
Installationsart	Wandmontage
Artikeltyp	mit Thermostat



KWC

Trim kit - thermostatic mixer - tub design

Modell-Linie: SHOWERCULTURE | 20.004.811.178

Showers | Exposed bath mixer

Armaturengeräuschgruppe	I
Unterputz	FM-Set, mit SI DIN EN 1717
Energieetikette (CH)	C
Material	Messing