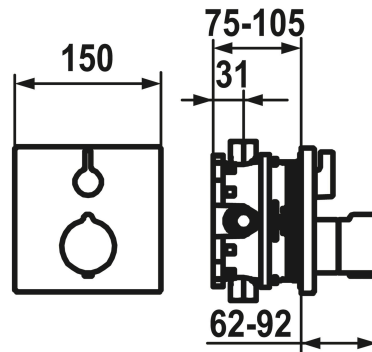


## KWC

Trim kit - thermostatic mixer - tub design

Modell-Linie: **SHOWERCULTURE** | 20.004.801.179

Showers | Exposed bath mixer



### KWC-No.

**124009**  
chromeline

**124010**  
chromeline, with safety device DIN EN 1717

**3600013480**  
brushed gold

**3600013474**  
brushed gold, with safety device DIN EN 1717

**125546**  
matt black

**125547**  
matt black, with safety device DIN EN 1717

**124968**  
brushed steel

**124969**  
brushed steel, with safety device DIN EN 1717

**3600013472**  
brushed copper

**3600013482**  
brushed copper, with safety device DIN EN 1717

**3600013473**  
brushed graphite

**3600013483**  
brushed graphite, with safety device DIN EN 1717

### Farbcode

chromeline

chromeline

brushed gold

brushed gold

matt black

matt black

brushed steel

brushed steel

brushed copper

brushed copper

brushed graphite

brushed graphite

### Unterputz

FM-Set

FM-Set, mit SI DIN EN 1717

FM-Set

FM-Set, mit SI DIN EN 1717

FM-Set

FM-Set, mit SI DIN EN 1717

FM-Set

FM-Set, mit SI DIN EN 1717

FM-Set

FM-Set, mit SI DIN EN 1717

FM-Set

FM-Set, mit SI DIN EN 1717

NEW

- \* Trim kit with thermostatic function unit design
- \* Outflow top and below
- \* SkinProtect - Safety stop prevents scalding
- \* Turning handle to control flow and for diverter
- \* Intrinsically safe against backflow
- \* Scope of delivery:
  - Function unit, temperature lever, sleeve, cover plate, holder for

- escutcheon handle to control flow and for diverter
  - Fastening of the cover plate without screws
- \* To be ordered separately:
  - Unit for concealed installation KWC BLUEBOX®
  - ½", without shut-off valve, 39.999.900.931
  - ¾" (½"), with shut-off valve, 39.999.910.931

### Technical Data

Durchflussmenge	19 l/min (3 bar)
Durchmesser	150 x 150
Bedienung	frontbedient
Farbcode	brushed graphite
Installationsart	Wandmontage
Artikeltyp	mit Thermostat



## KWC

Trim kit - thermostatic mixer - tub design

**Modell-Linie: SHOWERCULTURE | 20.004.801.179**

Showers | Exposed bath mixer

Armaturengeräuschgruppe

I

Unterputz

FM-Set

Energieetikette (CH)

C

Material

Messing