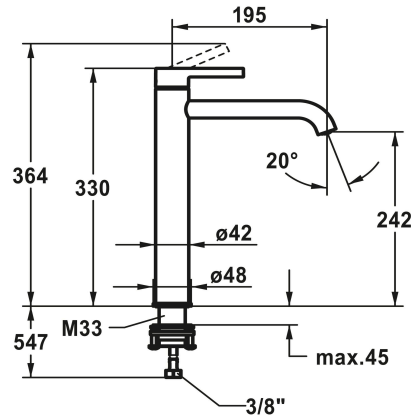


KWC BEVO

Lever mixer - basin

Modell-Linie: BEVO | 12.421.093.179FL

Taps | Manual taps



KWC-No.

124616
chromeline, A 195, flexible connection hoses 3/8", without pop-up valve

3600013320
brushed gold, A 195, flexible connection hoses 3/8", without pop-up valve

125021
matt black, A 195, flexible connection hoses 3/8", without pop-up valve

125048
brushed steel, A 195, flexible connection hoses 3/8", without pop-up valve

3600013322
brushed copper, A 195, flexible connection hoses 3/8", without pop-up valve

3600013321
brushed graphite, A 195, flexible connection hoses 3/8", without pop-up valve

- * Lever mixer
- * For top-mounted basins
- * EcoProtect - water-saving device
- * Fixed spout
- Neoperl® Caché® CS, Coin Slot
- * OptimalSpace - ample space for washing or working
- * KWC cartridge M 35 OP

Farbcode

chromeline

brushed gold

matt black

brushed steel

brushed copper

brushed graphite

- with ceramic discs
- flow rate and temperature continuously variable
- temperature limitation
- * Flexible connection hoses 3/8"
- * QuickInstallation - Fastening via threaded connection with locking screws
- * Mounting hole size ø35 mm

NEW

Technical Data

Auslaufmenge

5 l/min (3 bar)

Ablaufgarnitur

ohne Ablaufventil

Anschluss

Flexible Anschlusschläuche 3/8"

Auslauf

fest

Bedienung

topbedient

Farbcode

brushed graphite

Installationsart

für Waschschüssel

Artikeltyp

Hebelmischer

Mass Höhe

330

Armaturengeräuschgruppe

I

Ausladung A

A 195

Energieetikette (CH)

A



KWC BEVO Lever mixer - basin

Modell-Linie: BEVO | 12.421.093.179FL
Taps | Manual taps

Mass-Wasseraustritt

242

Material

Messing

Spare Parts



Control cartridge

538331
Z.537.710
