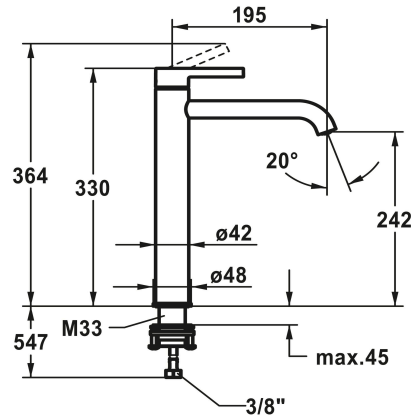


## KWC BEVO

Lever mixer - basin

Modell-Linie: BEVO | 12.421.093.175FL

Taps | Manual taps



### KWC-No.

**124616**  
chromeline, A 195, flexible connection hoses 3/8", without pop-up valve

**3600013320**  
brushed gold, A 195, flexible connection hoses 3/8", without pop-up valve

**125021**  
matt black, A 195, flexible connection hoses 3/8", without pop-up valve

**125048**  
brushed steel, A 195, flexible connection hoses 3/8", without pop-up valve

**3600013322**  
brushed copper, A 195, flexible connection hoses 3/8", without pop-up valve

**3600013321**  
brushed graphite, A 195, flexible connection hoses 3/8", without pop-up valve

- \* Lever mixer
- \* For top-mounted basins
- \* EcoProtect - water-saving device
- \* Fixed spout
- Neoperl® Caché® CS, Coin Slot
- \* OptimalSpace - ample space for washing or working
- \* KWC cartridge M 35 OP

### Farbcode

chromeline

brushed gold

matt black

brushed steel

brushed copper

brushed graphite

- with ceramic discs
- flow rate and temperature continuously variable
- temperature limitation
- \* Flexible connection hoses 3/8"
- \* QuickInstallation - Fastening via threaded connection with locking screws
- \* Mounting hole size ø35 mm

NEW

### Technical Data

Auslaufmenge

5 l/min (3 bar)

Ablaufgarnitur

ohne Ablaufventil

Anschluss

Flexible Anschlussschläuche 3/8"

Auslauf

fest

Bedienung

topbedient

Farbcode

brushed gold

Installationsart

für Waschschüssel

Artikeltyp

Hebelmischer

Mass Höhe

330

Armaturengeräuschgruppe

I

Ausladung A

A 195

Energieetikette (CH)

A



## KWC BEVO Lever mixer - basin

**Modell-Linie: BEVO | 12.421.093.175FL**  
Taps | Manual taps

Mass-Wasseraustritt

---

242

---

Material

---

Messing

---

### Spare Parts



### Control cartridge

---

**538331**  
Z.537.710

---