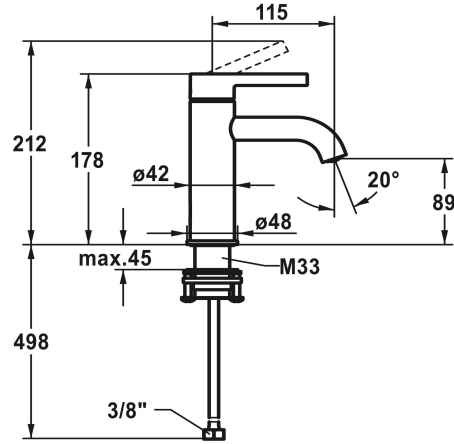


KWC BEVO

Lever mixer - basin

Modell-Linie: BEVO | 12.421.051.175FL

Taps | Manual taps



KWC-No.

124603
chromeline, A 115, flexible connection hoses 3/8", with pop-up valve

124604
chromeline, A 115, flexible connection hoses 3/8", without pop-up valve

3600013416
brushed gold, A 115, flexible connection hoses 3/8", with Push Open

3600013291
brushed gold, A 115, flexible connection hoses 3/8", without pop-up valve

125016
matt black, A 115, flexible connection hoses 3/8", with Push Open

125017
matt black, A 115, flexible connection hoses 3/8", without pop-up valve

125043
brushed steel, A 115, flexible connection hoses 3/8", with Push Open

125044
brushed steel, A 115, flexible connection hoses 3/8", without pop-up valve

3600013430
brushed copper, A 115, flexible connection hoses 3/8", with Push Open

3600013301
brushed copper, A 115, flexible connection hoses 3/8", without pop-up valve

3600013432
brushed graphite, A 115, flexible connection hoses 3/8", with Push Open

3600013293
brushed graphite, A 115, flexible connection hoses 3/8", without pop-up valve

- * Lever mixer
- * EcoProtect - water-saving device
- * Fixed spout
- Neoperl® Caché® CS, Coin Slot
- * KWC cartridge M 35 OP
- with ceramic discs

Technical Data

Auslaufmenge

Ablaufgarnitur

Ablaufgarnitur

mit Ablaufventil

ohne Ablaufventil

mit Push Open

ohne Ablaufventil

mit Push Open

ohne Ablaufventil

mit Push Open

ohne Ablaufventil

mit Push Open

ohne Ablaufventil

mit Push Open

ohne Ablaufventil

Farbcode

chromeline

chromeline

brushed gold

brushed gold

matt black

matt black

brushed steel

brushed steel

brushed copper

brushed copper

brushed graphite

brushed graphite

NEW

- flow rate and temperature continuously variable
- temperature limitation
- * Flexible connection hoses 3/8"
- * QuickInstallation - Fastening via threaded connection with locking screws
- * Mounting hole size ø35 mm

5 l/min (3 bar)

ohne Ablaufventil

KWC BEVO Lever mixer - basin

Modell-Linie: BEVO | 12.421.051.175FL
Taps | Manual taps

Anschluss	Flexible Anschlusschläuche 3/8"
Auslauf	fest
Bedienung	topbedient
Farbcode	brushed gold
Installationsart	Standmontage
Artikeltyp	Hebelmischer
Mass Höhe	178
Armaturengeräuschgruppe	I
Ausladung A	A 115
Energieetikette (CH)	A
Mass-Wasseraustritt	89
Material	Messing



Spare Parts



Control cartridge

538331
Z.537.710