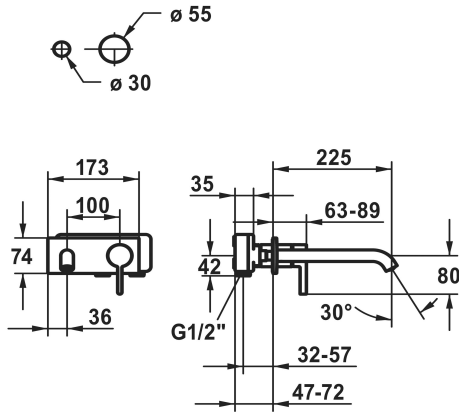


KWC BEVO Trim kit - lever mixer - Basin

Modell-Linie: BEVO | 11.422.034.179
Taps | Manual taps



KWC-No.

124619
chromeline, A 175

124620
chromeline, A 225

125022
matt black, A 175

125023
matt black, A 225

125049
brushed steel, A 175

125050
brushed steel, A 225

Color_code

chromeline

chromeline

brushed steel

brushed steel

NEW

- * Trim kit Lever mixer
- * EcoProtect - water-saving device
- * Fixed spout
- Neoperl® Caché® CS, Coin Slot
- * OptimalSpace - ample space for washing or working
- * KWC cartridge M 35 H

- with ceramic discs
- flow rate and temperature continuously variable
- * To be ordered separately:
- Unit for concealed installation ½" 39.001.401.931
- * To be ordered separately (optional or if necessary):
- Extension set 20 mm Z.536.333

Technical Data

A_Spout_Spray

5 l/min (3 bar)

Connection

G 1/2"

Spout

fixe

Diameter

173 x 74

Handling

front lever

Color_code

brushed graphite

Installation_type

Wall mounted

Faucet_typ

Lever mixer

G_Acoustic group

I

Concealed_unit

Trim kit

Projection_A

A 225

Energy Label (CH)

A

Connection measure

Range CH curent

material

Brass



Spare Parts

KWC BEVO

Trim kit - lever mixer - Basin

Modell-Linie: BEVO | 11.422.034.179

Taps | Manual taps



Control cartridge

538327

Z.537.582
