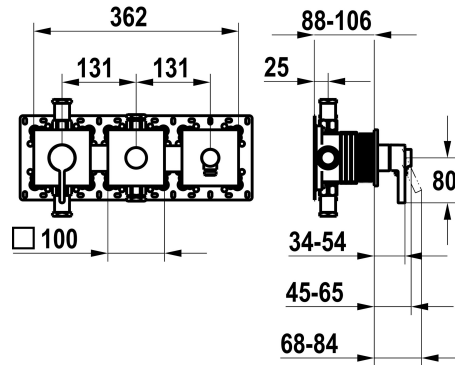


KWC FIT

Trim kit, with safety device DIN EN 1717 – Lever mixer – Tub

Modell-Linie: FIT | 20.554.550.176

Showers | Exposed bath mixer



KWC-No.

125435
chromeline, trim kit, with safety device DIN EN 1717

360008124
matt black, trim kit, with safety device DIN EN 1717

Color_code

chrome

matt black

NEW

* Trim kit with function unit KWC HOMEBOX

* Outflow

- with integrated hose connection
- above or below for the second consumer with CHOICE diverter without automatic reset

* KWC cartridge M 35-S HF

- with ceramic discs
- flow rate and temperature continuously variable

* Scope of delivery:

- Lever mixer unit
- Diverter unit
- Hose connection unit
- Fastening of the cover plate without screws

* To be ordered separately:

- Unit for concealed installation KWC HOMEBOX Thermostatic/ lever mixer 2 consumers 39.006.261.931

Technical Data

Flow rate	19.2 l/min (3bar)
Spray outlet: Flow rate	15.2 l/min (3bar)
Diameter	362 x 100
Handling	front lever
Color_code	matt black
Installation_type	Wall mounted
Faucet_typ	Lever mixer
G_Acoustic group	II
Concealed_unit	Trim kit, with vacuum breaker
G_Acoustic group_Shower_outlet	I
Energy Label	C
material	Brass

Flow rate	19.2 l/min (3bar)
Spray outlet: Flow rate	15.2 l/min (3bar)
Diameter	362 x 100
Handling	front lever
Color_code	matt black
Installation_type	Wall mounted
Faucet_typ	Lever mixer
G_Acoustic group	II
Concealed_unit	Trim kit, with vacuum breaker
G_Acoustic group_Shower_outlet	I
Energy Label	C
material	Brass

Spare Parts

KWC FIT

Trim kit, with safety device DIN EN 1717 – Lever mixer – Tub

Modell-Linie: FIT | 20.554.550.176
Showers | Exposed bath mixer



Cartridge M 35-S HF

537602
Z.537.602
