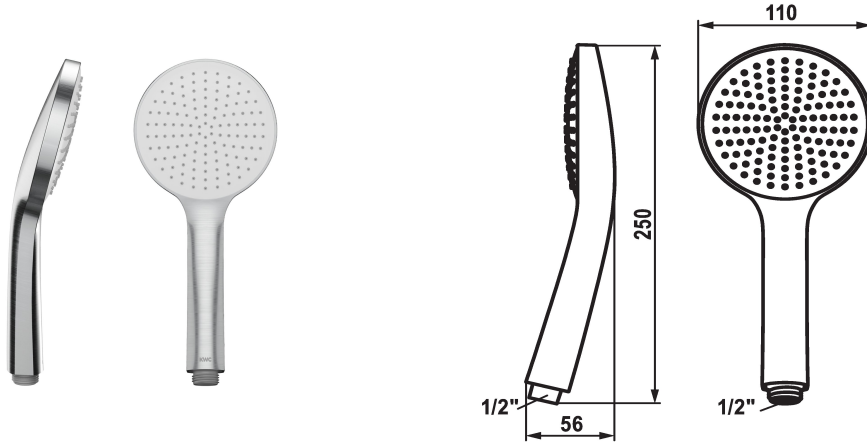


KWC FIT-E eco Handshower

Modell-Linie: FIT-E | 26.000.131.177
Showers | Hand showers



KWC-No.

125281
chromeline

360007766
matt black

360007767
brushed steel

Color code

chrome

matt black

brushed steel

NEW

* Hand shower KWC FIT -E eco
* TouchProtect - anti-scald protection thanks to the "double skin" principle

* Cleaning-friendly faceplate
* Connecting thread 1/2"

Technical Data

Flow rate

6 l/min (3 bar)

Connection

G 1/2"

Color code

brushed steel

Faucet_typ

Hand shower

Spray_type

ecojet

G_Acoustic group

I

Energy Label

A

material

Plastic