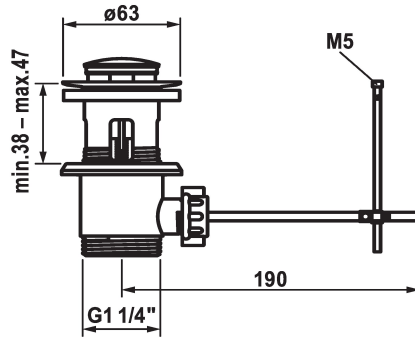


KWC Pop-up valve

Modell-Linie: SPAREPARTS | Z.538.581.177



KWC-No.

3600004125
brushed steel

- * KWC pop-up valve
- * with long lifting rod
- * Made of brass

Technical Data

ATT-KWC-FARBCODE

Faucet_typ

- * with long drainage slots
- * also suitable for thin-walled sinks

brushed steel

Ablaufventil

NEW