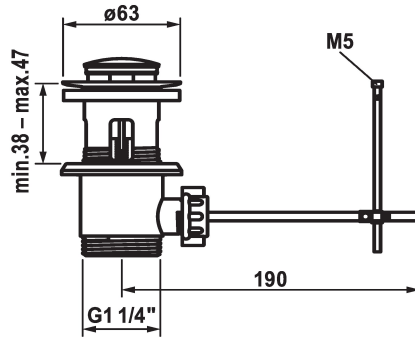


KWC

Pop-up valve

Modell-Linie: SPAREPARTS | Z.538.581.177



KWC-No.

360004125
brushed steel

* KWC pop-up valve
* with long lifting rod
* Made of brass

Dane techniczne

ATT-KWC-FARBCODE
Faucet_typ

* with long drainage slots
* also suitable for thin-walled sinks

brushed steel
Ablaufventil

NEW