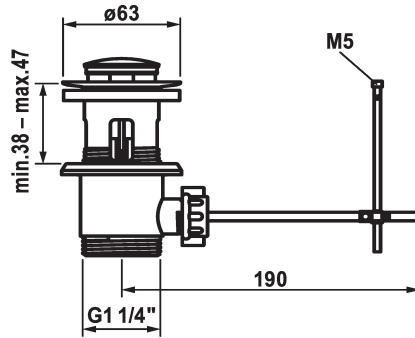


KWC Pop-up valve

Modell-Linie: SPAREPARTS | Z.538.581.177
Taps | Complementary parts taps



KWC-No.

360004125
brushed steel

- * KWC pop-up valve
- * with long lifting rod
- * Made of brass

- * with long drainage slots
- * also suitable for thin-walled sinks

NEW

Technical Data

Color code
Faucet_typ

brushed steel
Pop-up valve