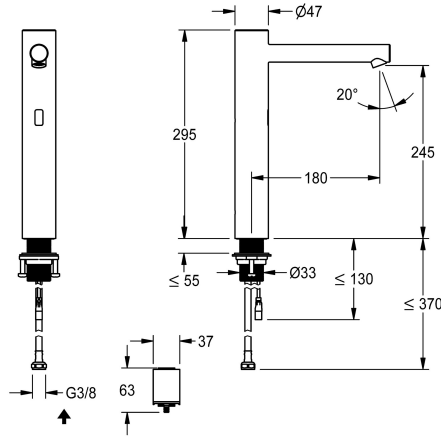


KWC ONO E

Automatic tap, touchless – Washbasin

Modell-Linie: ONO E | 12.576.103.700FL

Armatura umywalkowa | Armatura elektroniczna



KWC-No.

360001585

stainless steel, A 180, flexible connection hose, without drain fitting, battery, without mixing

- * Automatic, non-contact, basin
- opto-electronic controlled
- * For top-mounted basins
- * Made of stainless steel
- * Without mixing
- for cold or mixed water supply
- * EcoProtect - water-saving device
- * Control electronics
- 24-hour hygiene flushing adjustable
- Safety shutdown in case of continuous reflection
- Storage of statistical data
- * Fixed spout

- Neoperl® Perlator® SSR, swivelling jet regulator
- * Electrovalve
- * Flexible connection hose 3/8"
- * QuickInstallation - Fastening via threaded connection M33 x 1.5 with locking screws
- * Mounting hole size ø35 mm
- * Scope of delivery:
 - Battery compartment including battery 6V Lithium CRP2 for mounting under the washbasin
 - * Order separately (optional or if required):
 - Possibility of parameterization via bidirectional remote control, or C-module (3600001331) with an app

NEW

Dane techniczne

A_Spout_Spray
ATT-KWC-EL_STEUERUNG
Connection
ATT-KWC-AUSLAUF
ATT-KWC-STROMVERSORGUNG
ATT-KWC-FARBCODE
Installation_type
Faucet_typ
Dimension Height
G_Acoustic group
Projection_A
EnergyLabelCH

4.8 l/min (3 bar)
berührungslos
05
fest
Batterie
stainless steel
für Waschschüssel
Elektronik
295
I
A180
A



Akcesoria opcjonalne

KWC ONO E

Automatic tap, touchless – Washbasin

Modell-Linie: ONO E | 12.576.103.700FL

Armatura umywalkowa | Armatura elektroniczna



Dwukierunkowy pilot do armatury F3 i F5

2030036654
ACEX9005



Pilot 2-przyciskowy do armatury F3 i F5

2030036849
ACEX9004



Moduł C

3600001331
ACEX9020