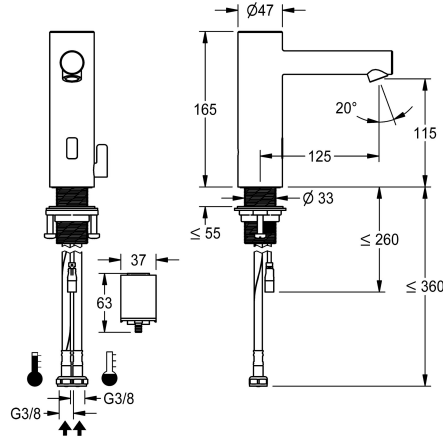


KWC ONO E

Automatic tap, touchless – Washbasin

Modell-Linie: ONO E | 12.576.012.700FL

Armatura umywalkowa | Armatura elektroniczna



KWC-No.

3600001583

stainless steel, A 125, flexible connection hoses, without drain fitting, battery, with mixing

- * Automatic, non-contact, basin
- opto-electronic controlled
- * Made of stainless steel
- * With mixing
- adjustable, twist-proof temperature stop
- * EcoProtect - water-saving device
- * Control electronics
- 24-hour hygiene flushing adjustable
- Safety shutdown in case of continuous reflection
- Storage of statistical data
- * Fixed spout
- Neoperl® Perlator® SSR, swivelling jet regulator

- * Electrovalve
- * Flexible connection hoses 3/8"
- * QuickInstallation - Fastening via threaded connection M33 x 1.5 with locking screws
- * Mounting hole size 35 mm
- * Scope of delivery:
 - Battery compartment including battery 6V Lithium CRP2 for mounting under the washbasin
 - * Order separately (optional or if required):
 - Possibility of parameterization via bidirectional remote control, or C-module (3600001331) with an app

NEW

Dane techniczne

A_Spout_Spray
ATT-KWC-EL_STEUERUNG
Connection
ATT-KWC-AUSLAUF
ATT-KWC-STROMVERSORGUNG
ATT-KWC-FARBCODE
Installation_type
Faucet_typ
Dimension Height
G_Acoustic group
Projection_A
EnergyLabelCH

4.8 l/min (3 bar)
berührungslos
04
fest
Batterie
stainless steel
Standmontage
Elektronik
165
I
A125
A



Akcesoria opcjonalne

KWC ONO E

Automatic tap, touchless – Washbasin

Modell-Linie: ONO E | 12.576.012.700FL

Armatura umywalkowa | Armatura elektroniczna



Dwukierunkowy pilot do armatury F3 i F5

2030036654
ACEX9005

Pilot 2-przyciskowy do armatury F3 i F5

2030036849
ACEX9004

Moduł C

3600001331
ACEX9020