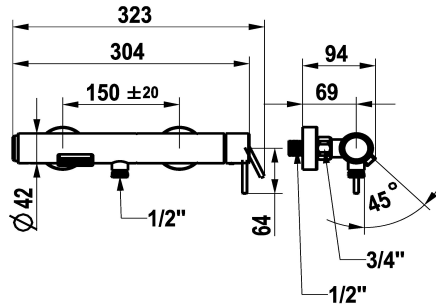


KWC ONO E Lever mixer – Tub

Modell-Linie: ONO E | 20.572.480.700
Armatura natryskowa | Baterie wannowe



KWC-No.

125653

chromeline, AD 150 ± 20, without spray head, hose and holder

125654

stainless steel, AD 150 ± 20, without spray head, hose and holder

- * Lever mixer
- * Made of stainless steel
- * Push-button diverter with automatic reset
- * Intrinsically safe against backflow
- * Fixed spout

ATT-KWC-FARBCODE

chromeline

stainless steel

- Neoperl® surge aerator
- * KWC cartridge M 35 OP
- with ceramic discs
- flow rate and temperature continuously variable
- * Wall connections 1/2" x 3/4", without shut-off valve eccentric 10 mm

NEW

Dane techniczne

A_Spout_Spray

21 l/min (3bar)

ATT-KWC-A_BRAUSENABGANG

12.6 l/min(3bar)

ATT-KWC-AUSLAUF

fest

ATT-KWC-BRAUSEGARNITUR

ohne_Brause_Schlauch_Halter

Handling

seitenbedient

ATT-KWC-FARBCODE

stainless steel

Installation_type

Montaz naścienny

Faucet_typ

Hebelmischer

Dimension Height

30

G_Acoustic group

U

ATT-KWC-G_BRAUSENABGANG

II

Projection_A

A90

ATT-KWC-MASS-WASSERAUSTRITT

10

Material

ROSTFREIER-STAHL

Części zamienne

KWC ONO E Lever mixer – Tub

Modell-Linie: ONO E | 20.572.480.700
Armatura natryskowa | Baterie wannowe



Cartridge M 35 OP

538331
Z.537.710
