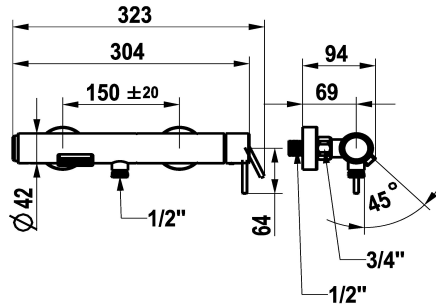


## KWC ONO E Lever mixer – Tub

Modell-Linie: ONO E | 20.572.480.700  
Sprchové armatury | Vanové armatury



### KWC-No.

**125653**

chromeline, AD 150 ± 20, without spray head, hose and holder

**125654**

stainless steel, AD 150 ± 20, without spray head, hose and holder

- \* Lever mixer
- \* Made of stainless steel
- \* Push-button diverter with automatic reset
- \* Intrinsically safe against backflow
- \* Fixed spout

### ATT-KWC-FARBCODE

chromeline

stainless steel

- Neoperl® surge aerator
- \* KWC cartridge M 35 OP
- with ceramic discs
- flow rate and temperature continuously variable
- \* Wall connections 1/2" x 3/4", without shut-off valve eccentric 10 mm

NEW

### Technické údaje

A\_Spout\_Spray

21 l/min (3bar)

ATT-KWC-A\_BRAUSENABGANG

12.6 l/min(3bar)

ATT-KWC-AUSLAUF

fixovaná

ATT-KWC-BRAUSEGARNITUR

ohne\_Brause\_Schlauch\_Halter

Handling

seitenbedient

ATT-KWC-FARBCODE

stainless steel

Installation\_type

montáž na stěnu

Faucet\_typ

Hebelmischer

Measure\_Height

30

G\_Acoustic group

U

ATT-KWC-G\_BRAUSENABGANG

II

Projection\_A

A90

ATT-KWC-MASS-WASSERAUSTRITT

10

Materiál

ROSTFREIER-STAHL

### Náhradní díly

## KWC ONO E Lever mixer – Tub

Modell-Linie: ONO E | 20.572.480.700  
Sprchové armatury | Vanové armatury



### Cartridge M 35 OP

---

**538331**  
Z.537.710

---