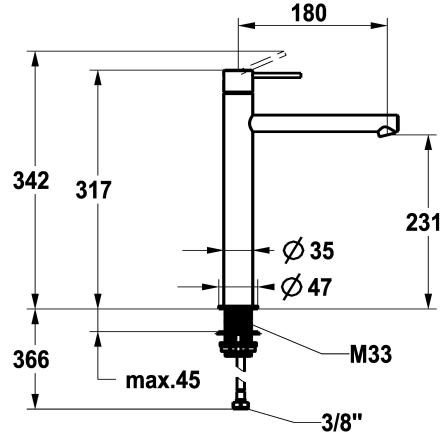


## KWC ONO E Lever mixer – Washbasin

Modell-Linie: ONO E | 12.578.093.700FL  
Taps | Manual taps



### KWC-No.

**125622**  
chromeline, A 180, flexible connection hoses, without pop-up valve

**125623**  
stainless steel, A 180, flexible connection hoses, without pop-up valve

- \* Lever mixer
- \* Made of stainless steel
- \* EcoProtect - water-saving device
- \* Fixed spout
- Neoperl® Caché® SSR, swivelling jet regulator
- \* OptimalSpace - ample space for washing or working
- \* KWC cartridge S 25

### Color\_code

chrome

stainless steel

- with ceramic discs
- flow rate and temperature continuously variable
- \* Flexible connection hoses 3/8"
- \* QuickInstallation - Fastening via threaded connection with locking screws
- \* Mounting hole size ø35 mm

NEW

### Technical Data

|                        |
|------------------------|
| Flow rate              |
| Pop-up_valve           |
| Connection             |
| Spout                  |
| Handling               |
| Color_code             |
| Installation_type      |
| Faucet_typ             |
| Dimension Height       |
| G_Acoustic group       |
| Projection_A           |
| Energy Label           |
| Dimension Water outlet |
| material               |

|                           |
|---------------------------|
| 4.3 l/min (3 bar)         |
| without pop-up valve      |
| Flexible connection hoses |
| fixed                     |
| top lever                 |
| stainless steel           |
| Pillar installation       |
| Lever mixer               |
| 317                       |
| I                         |
| A 180                     |
| A                         |
| 231                       |
| stainless steel           |



### Spare Parts

## KWC ONO E Lever mixer – Washbasin

Modell-Linie: ONO E | 12.578.093.700FL  
Taps | Manual taps



**Cartridge S 25**

---

**538711**  
Z.536.032

---



**Service key Neoperl © Caché ©, TJ, 18 mm, green**

---

**634729**  
CACHETJ

---