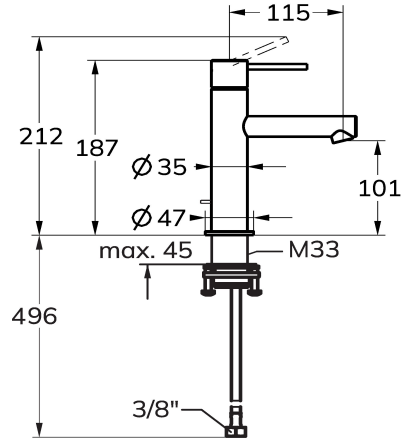


KWC ONO E Lever mixer – Washbasin

Modell-Linie: ONO E | 12.578.051.700FL
Taps | Manual taps



KWC-No.

125616
chromeline, A 115, flexible connection hoses, without pop-up valve

125617
stainless steel, A 115, flexible connection hoses, without pop-up valve

- * Lever mixer
- * Made of stainless steel
- * EcoProtect - water-saving device
- * Fixed spout
- Neoperl® Caché® SSR, swivelling jet regulator
- * KWC cartridge S 25

Color code

chromeline

stainless steel

NEW

- with ceramic discs
- flow rate and temperature continuously variable
- * Flexible connection hoses 3/8"
- * QuickInstallation - Fastening via threaded connection with locking screws
- * Mounting hole size ø35 mm

Technical Data

| |
|------------------------|
| Flow rate |
| pop-up valve |
| Connection |
| Spout |
| Handling |
| Color code |
| Installation type |
| Faucet_typ |
| Measure Height |
| Acoustic group |
| Projection A |
| Energy label |
| Dimension Water outlet |
| material |

| |
|---------------------------|
| 4.3 l/min (3 bar) |
| without pop-up valve |
| Flexible connection hoses |
| fixed |
| top lever |
| stainless steel |
| Pillar installation |
| Lever mixer |
| 187 |
| I |
| A 115 |
| A |
| 101 |
| stainless steel |



Spare Parts

KWC ONO E Lever mixer – Washbasin

Modell-Linie: ONO E | 12.578.051.700FL
Taps | Manual taps



Cartridge S 25

538711
Z.536.032



Service key Neoperl © Caché ©, TJ, 18 mm, green

634729
CACHETJ
