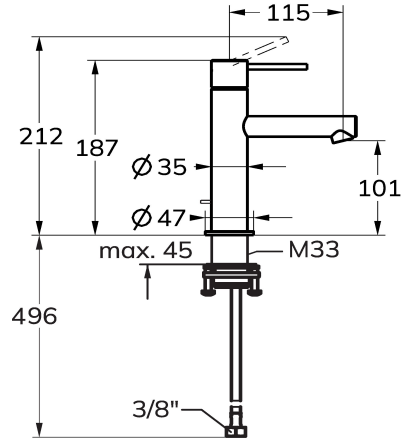


KWC ONO E Lever mixer – Washbasin

Modell-Linie: ONO E | 12.578.051.700FL
Taps | Manual taps



KWC-No.

125616
chromeline, A 115, flexible connection hoses, without pop-up valve

125617
stainless steel, A 115, flexible connection hoses, without pop-up valve

- * Lever mixer
- * Made of stainless steel
- * EcoProtect - water-saving device
- * Fixed spout
- Neoperl® Caché® SSR, swivelling jet regulator
- * KWC cartridge S 25

Color code

chrome

stainless steel

NEW

- with ceramic discs
- flow rate and temperature continuously variable
- * Flexible connection hoses 3/8"
- * QuickInstallation - Fastening via threaded connection with locking screws
- * Mounting hole size ø35 mm

Technical Data

Flow rate
Pop-up_valve
Connection
Spout
Handling
Color code
Installation_type
Faucet_typ
Dimension Height
G_Acoustic group
Projection_A
Energy Label
Dimension Water outlet
material

4.3 l/min (3 bar)
without pop-up valve
Flexible connection hoses
fixed
top lever
stainless steel
Pillar installation
Lever mixer
187
I
A 115
A
101
stainless steel



Spare Parts

KWC ONO E Lever mixer – Washbasin

Modell-Linie: ONO E | 12.578.051.700FL
Taps | Manual taps



Cartridge S 25

538711
Z.536.032



Service key Neoperl © Caché ©, TJ, 18 mm, green

634729
CACHETJ
