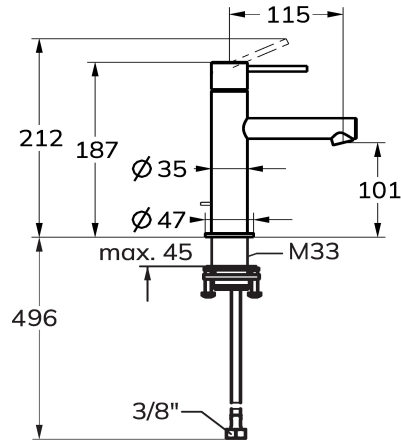


## KWC ONO E Lever mixer – Washbasin

Modell-Linie: ONO E | 12.578.051.000FL  
Taps | Manual taps



### KWC-No.

**125616**  
chromeline, A 115, flexible connection hoses, without pop-up valve

**125617**  
stainless steel, A 115, flexible connection hoses, without pop-up valve

- \* Lever mixer
- \* Made of stainless steel
- \* EcoProtect - water-saving device
- \* Fixed spout
- Neoperl® Caché® SSR, swivelling jet regulator
- \* KWC cartridge S 25

### Color code

chromeline

stainless steel

NEW

- with ceramic discs
- flow rate and temperature continuously variable
- \* Flexible connection hoses 3/8"
- \* QuickInstallation - Fastening via threaded connection with locking screws
- \* Mounting hole size ø35 mm

### Technical Data

Flow rate
pop-up valve
Connection
Spout
Handling
Color code
Installation type
Faucet_typ
Measure Height
Acoustic group
Projection A
Energy label
Dimension Water outlet
material

4.3 l/min (3 bar)
without pop-up valve
Flexible connection hoses
fixed
top lever
chromeline
Pillar installation
Lever mixer
187
I
A 115
A
101
stainless steel



### Spare Parts

## KWC ONO E Lever mixer – Washbasin

Modell-Linie: ONO E | 12.578.051.000FL  
Taps | Manual taps



**Cartridge S 25**

---

**538711**  
Z.536.032

---



**Service key Neoperl © Caché ©, TJ, 18 mm, green**

---

**634729**  
CACHETJ

---