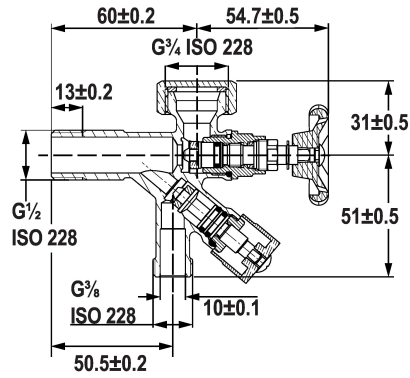
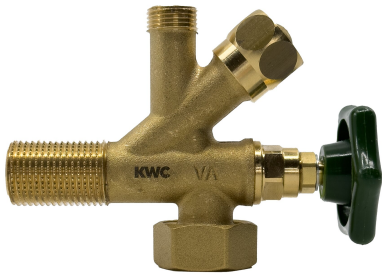


## KWC Shut-off valve

Modell-Linie: ACCESSOIRES | 27.002.080.931  
Taps | Complementary parts taps



### KWC-No.

**125613**  
chromeline, 1/2" thread

Shut-off valve  
\* Connecting thread 1/2"

\* without Compression fitting

NEW

### Technical Data

|                   |
|-------------------|
| Connection        |
| Color code        |
| Installation type |
| Faucet_typ        |
| Nominal size      |
| Acoustic group    |
| Projection A      |

|                       |
|-----------------------|
| G 1/2"                |
| raw                   |
| Wall mounted          |
| Corner shut-off valve |
| G 3/8"                |
| I                     |
| A 45                  |