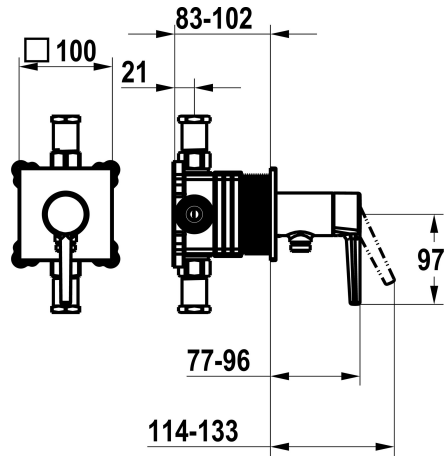


KWC MANA

Trim kit, with safety device DIN EN 1717 – Lever mixer – Shower

Modell-Linie: MANA | 21.554.550.000

Duschar | Hydraulické sprchy



KWC-No.

125603

chromeline, trim kit, with safety device DIN EN 1717

NEW

- * Trim kit with function unit KWC HOMEBOX
- * Outflow with integrated hose connection
- * KWC cartridge M 35-S HF
 - with ceramic discs
 - flow rate and temperature continuously variable

- * Scope of delivery:
 - Lever mixer unit with integrated hose connection
 - Fastening of the cover plate without screws
- * To be ordered separately:
 - Unit for concealed installation KWC HOMEBOX Lever mixer 1 Consumers 39.006.251.931

Technical Data

| |
|-------------------|
| Diameter |
| Handling |
| ATT-KWC-FARBCODE |
| Installation_type |
| Faucet_typ |
| ATT-KWC-UNTERPUTZ |
| Material |

| |
|---------------|
| 100x100 |
| frontbedient |
| chromeline |
| Väggmontering |
| Hebelmischer |
| FM-Set mit SI |
| Mässing |

Reservdelar



Cartridge M 35-S HF

537602

Z.537.602