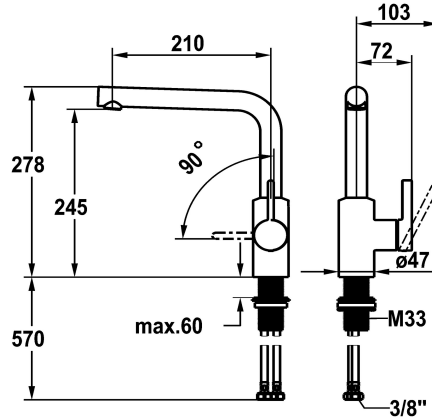


## KWC FIT Lever mixer – Kitchen

Modell-Linie: FIT | 10.541.012.176FL  
Taps | Manual taps



### KWC-No.

**125574**  
chromeline, A 210, flexible connection hoses

**125575**  
matt black, A 210, flexible connection hoses

### Color code

chromeline

matt black

NEW

- \* Lever mixer
- \* Lever installation only possible on the right side
- Child safety: cold water flow in lever position towards the front
- \* gap between wall and centre of mounting hole min. 25 mm
- \* Swivel spout 150°
- Neoperl® Cascade® SLC
- \* OptimalSpace - ample space for washing or working
- \* KWC cartridge M 35 S

- with ceramic discs
- flow rate and temperature continuously variable
- temperature limitation
- \* Flexible connection hoses 3/8"
- \* QuickInstallation - Fastening via threaded connection with locking screws
- \* Mounting hole size ø35 mm

### Technical Data

Flow rate
Connection
Spout
Handling
Color code
Installation type
Faucet_typ
Design
Dimension Height
Acoustic group
Projection A
Energy label
Dimension Water outlet
material

7.6 l/min (3 bar)
Flexible connection hoses
swivel
side lever
matt black
Pillar installation
Lever mixer
L-Spout
278
I
A 205
A
245
Brass

