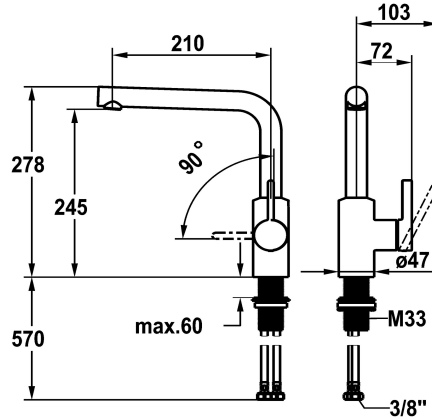


## KWC FIT Lever mixer – Kitchen

Modell-Linie: FIT | 10.541.012.000FL  
Taps | Manual taps



### KWC-No.

**125574**  
chromeline, A 210, flexible connection hoses

**125575**  
matt black, A 210, flexible connection hoses

- \* Lever mixer
- \* Lever installation only possible on the right side
- Child safety: cold water flow in lever position towards the front
- \* gap between wall and centre of mounting hole min. 25 mm
- \* Swivel spout 150°
- Neoperl® Cascade® SLC
- \* OptimalSpace - ample space for washing or working
- \* KWC cartridge M 35 S

### Color code

chrome

matt black

- with ceramic discs
- flow rate and temperature continuously variable
- temperature limitation
- \* Flexible connection hoses 3/8"
- \* QuickInstallation - Fastening via threaded connection with locking screws
- \* Mounting hole size ø35 mm

NEW

### Technical Data

Flow rate	7.6 l/min (3 bar)
Connection	Flexible connection hoses
Spout	swivel
Handling	side lever
Color code	chrome
Installation_type	Pillar installation
Faucet_typ	Lever mixer
Design	L-Spout
Dimension Height	278
G_Acoustic group	I
Projection_A	A 205
Energy Label	A
Dimension Water outlet	245
material	Brass

Flow rate	7.6 l/min (3 bar)
Connection	Flexible connection hoses
Spout	swivel
Handling	side lever
Color code	chrome
Installation_type	Pillar installation
Faucet_typ	Lever mixer
Design	L-Spout
Dimension Height	278
G_Acoustic group	I
Projection_A	A 205
Energy Label	A
Dimension Water outlet	245
material	Brass

