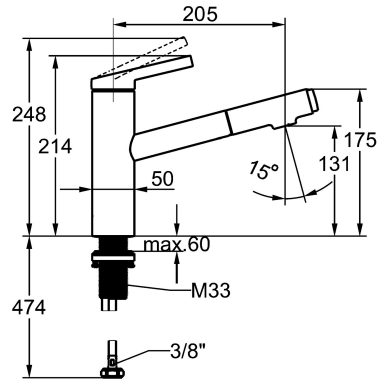


## KWC FIT Lever mixer – Kitchen

Modell-Linie: FIT | 10.541.032.176FL  
Taps | Manual taps



### KWC-No.

**125572**  
chromeline, A 205, flexible connection hoses

**125573**  
matt black, A 205, flexible connection hoses

- \* Lever mixer
- \* TouchProtect - anti-scald protection thanks to the "double skin" principle
- \* Intrinsically safe against backflow
- \* Pull-out spray
  - up to 500 mm pull-out length
  - QuickConnect - Simple hose connection system
- \* Hose guide, swivelling 120°
- \* EasyLock - a pull-out spray that easily slides back into place

### Color code

chrome

matt black

- \* KWC cartridge M 35 S
  - with ceramic discs
  - flow rate and temperature continuously variable
  - temperature limitation
- \* Flexible connection hoses 3/8"
- \* QuickInstallation - Fastening via threaded connection with locking screws
- \* Mounting hole size ø35 mm

NEW

### Technical Data

Flow rate needle spray

6.5 l/min (3 bar)

Flow rate normal spray

6.8 l/min (3 bar)

Connection

Flexible connection hoses

Spout

swivel

Handling

top lever

Kitchen\_spray

Pull-out spray

Color code

matt black

Installation\_type

Pillar installation

Faucet\_typ

Lever mixer

Dimension Height

214

G\_Acoustic\_group

I

Projection\_A

A 205

Energy Label

A

Dimension Water outlet

131

material

Brass

