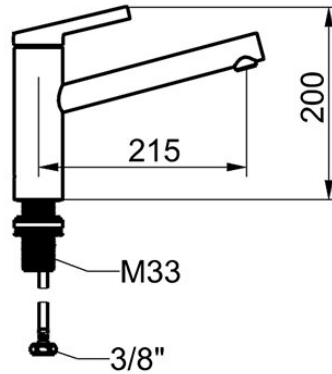


## KWC FIT Lever mixer – Kitchen

Modell-Linie: FIT | 10.541.022.176FL  
Kranar | Hydraulické armatúry



### KWC-No.

**125570**  
chromeline, A 215, flexible connection hoses

**125571**  
matt black, A 215, flexible connection hoses

- \* Lever mixer
- \* Swivel spout 150°
- Neoperl® Cascade® SLC
- \* KWC cartridge M 35 S
- with ceramic discs
- flow rate and temperature continuously variable

### ATT-KWC-FARBCODE

chromeline

matt black

- temperature limitation
- \* Flexible connection hoses 3/8"
- \* QuickInstallation - Fastening via threaded connection with locking screws
- \* Mounting hole size ø35 mm

NEW

### Technical Data

A\_Spout\_Spray

Connection

ATT-KWC-AUSLAUF

Handling

ATT-KWC-FARBCODE

Installation\_type

Faucet\_typ

Measure\_Height

G\_Acoustic group

Projection\_A

EnergyLabelCH

ATT-KWC-MASS-WASSERAUSTRITT

Material

7 l/min (3 bar)

Flexible\_Anschlusschläuche

schwenkbar

topbedient

matt black

Standmontage

Hebelmischer

200

I

A215

A

136

Mässing

