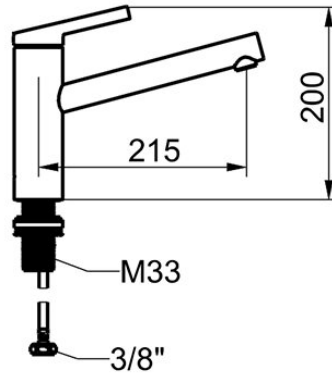


KWC FIT Lever mixer – Kitchen

Modell-Linie: FIT | 10.541.022.176FL
Taps | Manual taps



KWC-No.

125570
chromeline, A 215, flexible connection hoses

125571
matt black, A 215, flexible connection hoses

- * Lever mixer
- * Swivel spout 150°
- Neoperl® Cascade® SLC
- * KWC cartridge M 35 S
- with ceramic discs
- flow rate and temperature continuously variable

Color code

chrome

matt black

- temperature limitation
- * Flexible connection hoses 3/8"
- * QuickInstallation - Fastening via threaded connection with locking screws
- * Mounting hole size ø35 mm

NEW

Technical Data

Flow rate
Connection
Spout
Handling
Color code
Installation_type
Faucet_typ
Dimension Height
G_Acoustic group
Projection_A
Energy Label
Dimension Water outlet
material

7 l/min (3 bar)
Flexible connection hoses
swivel
top lever
matt black
Pillar installation
Lever mixer
200
I
A 215
A
136
Brass

