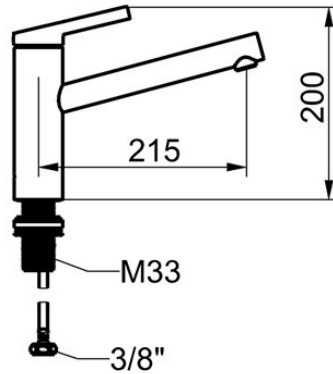


## KWC FIT Lever mixer – Kitchen

Modell-Linie: FIT | 10.541.022.000FL  
Taps | Manual taps



### KWC-No.

**125570**  
chromeline, A 215, flexible connection hoses

**125571**  
matt black, A 215, flexible connection hoses

- \* Lever mixer
- \* Swivel spout 150°
- Neoperl® Cascade® SLC
- \* KWC cartridge M 35 S
- with ceramic discs
- flow rate and temperature continuously variable

### Color code

chromeline

matt black

- temperature limitation
- \* Flexible connection hoses 3/8"
- \* QuickInstallation - Fastening via threaded connection with locking screws
- \* Mounting hole size ø35 mm

NEW

### Technical Data

Flow rate
Connection
Spout
Handling
Color code
Installation type
Faucet_typ
Dimension Height
Acoustic group
Projection A
Energy label
Dimension Water outlet
material

7 l/min (3 bar)
Flexible connection hoses
swivel
top lever
chromeline
Pillar installation
Lever mixer
200
I
A 215
A
136
Brass

