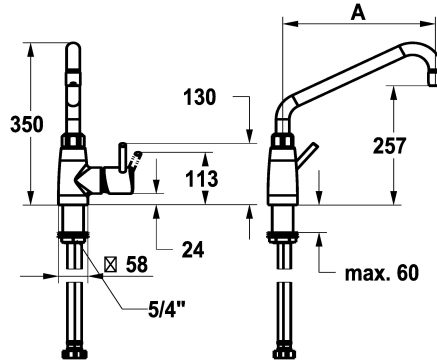


KWC GASTRO E Lever mixer – Commercial kitchen

Modell-Linie: GASTRO E | 24.561.044.700FL
Taps | Manual taps



KWC-No.

125565
stainless steel, A 300, flexible connection hoses

- * Lever mixer
- * Swivel spout 360°
- with adjustable gland
- Jet regulator
- * OptimalSpace - ample space for washing or working
- * KWC cartridge XL 46 - high capacity
- with ceramic discs

- flow rate and temperature continuously variable
- temperature limitation
- * Flexible connection hoses 1/2" with transition to 3/4"
- * Fastening by means of threaded sleeve 1 3/4"
- * Mounting hole size $\varnothing 42$ mm
- * To be ordered separately:
- Base 100 mm Z.539.000.700 or 300 mm Z.539.001.700

NEW

Technical Data

Flow rate
Connection
Spout
Handling
Color_code
Installation_type
Faucet_typ
Dimension Height
G_Acoustic group
Projection_A
Dimension Water outlet
material

32.4 l/min (3 bar)
Flexible connection hoses
swivel
side lever
stainless steel
Pillar installation
Lever mixer
350
II
A 300
257
stainless steel

