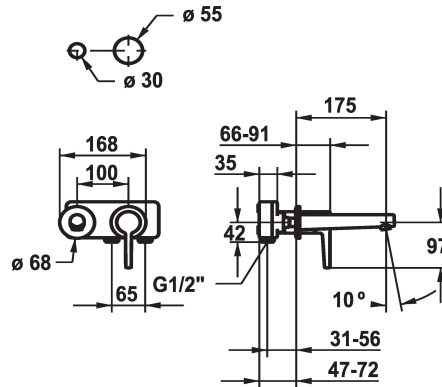


KWC MANA

Trim kit - Lever mixer - Basin

Modell-Linie: MANA | 11.552.063.000

Armatura umywalkowa | Armatura jednouchwytywa



KWC-No.

125529

chromeline, A 175, Trim kit

125530

chromeline, A 225, Trim kit

- * Trim kit Lever mixer
- * EcoProtect - water-saving device
- * Fixed spout
- Neoperl® Caché® CS, Coin Slot
- * OptimalSpace - ample space for washing or working
- * KWC cartridge M 35 H

- with ceramic discs
- flow rate and temperature continuously variable
- * To be ordered separately:
- Unit for concealed installation ½" 39.001.401.931
- * To be ordered separately (optional or if necessary):
- Extension set 20 mm Z.536.333

Dane techniczne

A_Spout_Spray
ATT-KWC-AUSLAUF
średnicy
Handling
ATT-KWC-FARBCODE
Installation_type
Faucet_typ
G_Acoustic group
ATT-KWC-UNTERPUTZ
Projection_A
ATT-KWC-MASS-WASSERAUSTRITT
Material

5 l/min (3 bar)
fest
168x68
frontbedient
chromeline
Montaż naścienny
Hebelmischer
I
FM-Set
A175
20
Mosiądz



Niezbędne akcesoria



KWC MANA

Trim kit - Lever mixer - Basin

Modell-Linie: MANA | 11.552.063.000

Armatura umywalkowa | Armatura jednouchwytowa

Concealed unit

124315

39.001.401.931

Części zamienne



Cartridge M 35 H

538327

Z.537.582
