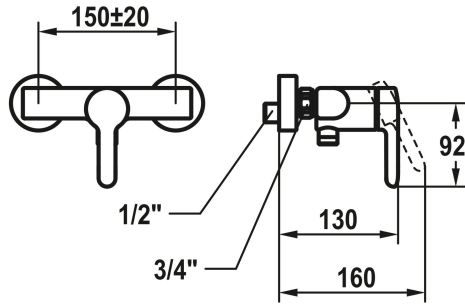


KWC WAMAS 2.0 Lever mixer - shower

Modell-Linie: WAMAS 2.0 | 21.472.330.000
Showers | Manual shower



KWC-No.

125517
chromeline, AD 150±20, without shower and hose

- * Lever mixer
- * Intrinsically safe against backflow
- * KWC cartridge M 35 OP
- with ceramic discs

- flow rate and temperature continuously variable
- temperature limitation
- * Wall connections 1/2" x 3/4", without shut-off valve eccentric 10 mm

Technical Data

Brauseabgang: Auslaufmenge	16.3 l/min (3 bar)
Brausegarnitur	ohne Brause, Schlauch
Bedienung	frontbedient
Farbcode	chromeline
Installationsart	Wandmontage
Artikeltyp	Hebelmischer
Brauseabgang: Armaturengeräuschgruppe	II
Anschluss Mass	150+/-20
Material	Messing
Höhe maximal	30 mm

Spare Parts



Control cartridge

538331



KWC WAMAS 2.0
Lever mixer - shower

Modell-Linie: WAMAS 2.0 | 21.472.330.000
Showers | Manual shower

Z.537.710
