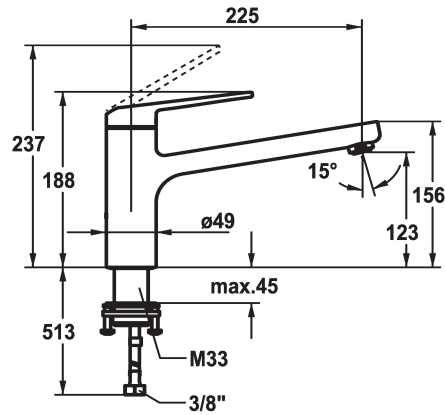


KWC DOMO 6.0 Lever mixer - Kitchen

Modell-Linie: DOMO 6.0 | 10.661.523.000FL
Kranar | Hydraulické armatúry



KWC-No.

125480

chromeline, A 225, flexible connection hoses

- * Lever mixer
- * Swivel spout 150°
- Neoperl® Cascade® SLC
- * OptimalSpace - ample space for washing or working
- * KWC cartridge M 35 S
- with ceramic discs

- flow rate and temperature continuously variable
- temperature limitation
- * Flexible connection hoses 3/8"
- * QuickInstallation - Fastening via threaded connection with locking screws
- * Mounting hole size ø35 mm

Technical Data

| |
|-----------------------------|
| A_Spout_Spray |
| Connection |
| ATT-KWC-AUSLAUF |
| Handling |
| ATT-KWC-FARBCODE |
| Installation_type |
| Faucet_typ |
| Measure_Height |
| G_Acoustic_group |
| Projection_A |
| EnergyLabelCH |
| ATT-KWC-MASS-WASSERAUSTRITT |
| Material |

| |
|----------------------------|
| 12 l/min (3 bar) |
| Flexible_Anschlusschläuche |
| schwenkbar |
| topbedient |
| chromeline |
| Standmontage |
| Hebelmischer |
| 188 |
| I |
| A225 |
| B |
| 123 |
| Mässing |

