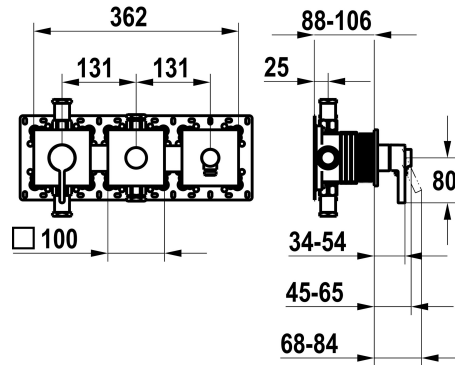


## KWC FIT

Trim kit, with safety device DIN EN 1717 – Lever mixer – Tub

Modell-Linie: FIT | 20.544.550.000

Showers | Exposed bath mixer



### KWC-No.

**125435**  
chromeline, trim kit, with safety device DIN EN 1717

**360008124**  
matt black, trim kit, with safety device DIN EN 1717

\* Trim kit with function unit KWC HOMEBOX

\* Outflow

- with integrated hose connection  
- above or below for the second consumer with CHOICE diverter without automatic reset

\* KWC cartridge M 35-S HF

- with ceramic discs  
- flow rate and temperature continuously variable

\* Scope of delivery:

- Lever mixer unit  
- Diverter unit  
- Hose connection unit  
- Fastening of the cover plate without screws

\* To be ordered separately:

- Unit for concealed installation KWC HOMEBOX Thermostatic/ lever mixer 2 consumers 39.006.261.931

### Technical Data

Flow rate	19.2 l/min (3 bar)
Spray outlet: Flow rate	15.2 l/min (3 bar)
Diameter	362 x 100
Handling	front lever
Color_code	chrome
Installation_type	Wall mounted
Faucet_typ	Lever mixer
G_Acoustic group	II
Concealed_unit	Trim kit, with vacuum breaker
G_Acoustic group_Shower_outlet	I
Energy Label	C
material	Brass

Flow rate	19.2 l/min (3 bar)
Spray outlet: Flow rate	15.2 l/min (3 bar)
Diameter	362 x 100
Handling	front lever
Color_code	chrome
Installation_type	Wall mounted
Faucet_typ	Lever mixer
G_Acoustic group	II
Concealed_unit	Trim kit, with vacuum breaker
G_Acoustic group_Shower_outlet	I
Energy Label	C
material	Brass



### Spare Parts

## KWC FIT

Trim kit, with safety device DIN EN 1717 – Lever mixer – Tub

Modell-Linie: FIT | 20.544.550.000  
Showers | Exposed bath mixer



### Cartridge M 35-S HF

---

**537602**  
Z.537.602

---