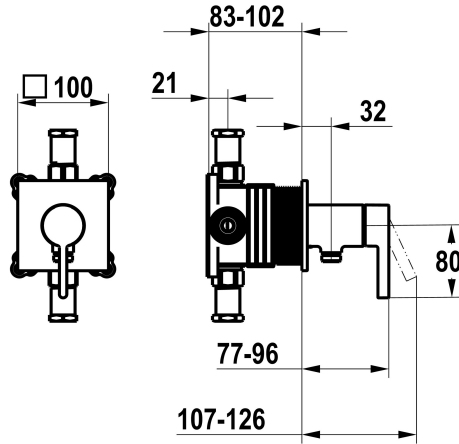


KWC FIT

Trim kit, with safety device DIN EN 1717 – Lever mixer – Shower

Modell-Linie: FIT | 21.544.550.000

Duschar | Hydraulické sprchy



KWC-No.

125434

chromeline, trim kit, with safety device DIN EN 1717

NEW

- * Trim kit with function unit KWC HOMEBOX
- * Outflow
 - with integrated hose connection
- * KWC cartridge M 35-S HF
 - with ceramic discs
 - flow rate and temperature continuously variable

- * Scope of delivery:
 - Lever mixer unit - with integrated hose connection
 - Fastening of the cover plate without screws
- * To be ordered separately:
 - Unit for concealed installation KWC HOMEBOX Lever mixer 1 Consumers 39.006.251.931

Technical Data

ATT-KWC-A_ABGANG_UP
Diameter
Handling
ATT-KWC-FARBCODE
Installation_type
Faucet_typ
G_Acoustic group
ATT-KWC-UNTERPUTZ
EnergyLabelCH
Material

16 l/min (3 bar)
100x100
frontbedient
chromeline
Vägmontering
Hebelmischer
I
FM-Set mit SI
C
Mässing



Reservdelar



Cartridge M 35-S HF

537602



KWC FIT

Trim kit, with safety device DIN EN 1717 – Lever mixer – Shower

Modell-Linie: FIT | 21.544.550.000
Duschar | Hydraulické sprchy

Z.537.602
