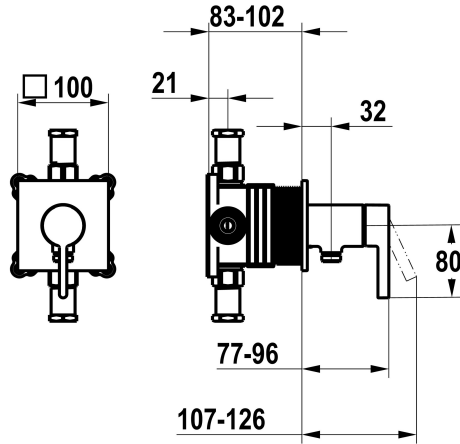


## KWC FIT

Trim kit, with safety device DIN EN 1717 – Lever mixer – Shower

Modell-Linie: FIT | 21.544.550.000  
Showers | Manual shower



### KWC-No.

**125434**  
chromeline, trim kit, with safety device DIN EN 1717

**360008116**  
matt black, Fertigmontageset, mit Sicherungseinrichtung DIN EN 1717

- \* Trim kit with function unit KWC HOMEBOX
- \* Outflow
  - with integrated hose connection
- \* KWC cartridge M 35-S HF
  - with ceramic discs
  - flow rate and temperature continuously variable

- \* Scope of delivery:
  - Lever mixer unit - with integrated hose connection
  - Fastening of the cover plate without screws
- \* To be ordered separately:
  - Unit for concealed installation KWC HOMEBOX Lever mixer 1 Consumers 39.006.251.931

### Technical Data

Flow rate	16 l/min (3 bar)
Diameter	100 x 100
Handling	front lever
Color code	chrome
Installation_type	Wall mounted
Faucet_typ	Lever mixer
G_Acoustic group	I
Concealed_unit	Trim kit, with vacuum breaker
Energy Label	C
material	Brass

Flow rate	16 l/min (3 bar)
Diameter	100 x 100
Handling	front lever
Color code	chrome
Installation_type	Wall mounted
Faucet_typ	Lever mixer
G_Acoustic group	I
Concealed_unit	Trim kit, with vacuum breaker
Energy Label	C
material	Brass



### Spare Parts





## **KWC** FIT

Trim kit, with safety device DIN EN 1717 – Lever mixer – Shower

**Modell-Linie: FIT | 21.544.550.000**  
Showers | Manual shower

### **Cartridge M 35-S HF**

---

**537602**  
Z.537.602

---