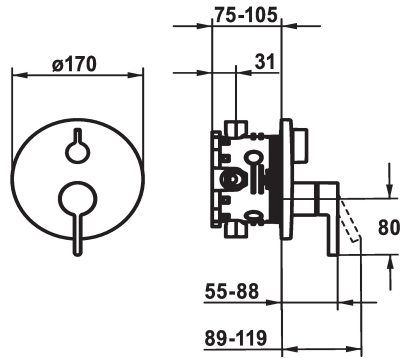


KWC FIT

Trim kit - Lever mixer - Tub

Modell-Linie: FIT | 20.544.502.000

Armatura natryskowa | Baterie wannowe



KWC-No.

125426
chromeline, Trim kit

125427
chromeline, Trim kit, with vacuum breaker

- * Trim kit with function unit
- * Outflow top and below
- * Turning handle for diverter
- * KWC cartridge M 35 H
- with ceramic discs
- flow rate and temperature continuously variable
- * Scope of delivery:

ATT-KWC-UNTERPUTZ

FM-Set

FM-Set mit SI

- Function unit, lever, cap, sleeve, cover plate, holder for escutcheon, diverter
- Fastening of the cover plate without screws
- * To be ordered separately:
- Unit for concealed installation KWC BLUEBOX®
- ½", without shut-off valve, 39.999.900.931
- ¾" (½"), with shut-off valve, 39.999.910.931

Dane techniczne

ATT-KWC-A_ABGANG_UP

średnicy

Handling

ATT-KWC-FARBCODE

Installation_type

Faucet_typ

G_Acoustic group

ATT-KWC-UNTERPUTZ

EnergyLabelCH

Material

19 l/min (3 bar)

D170

frontbedient

chromeline

Montaż naścienny

Hebelmischer

I

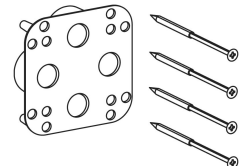
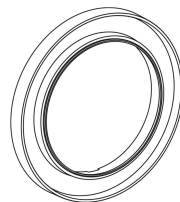
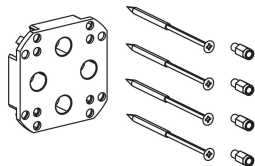
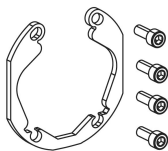
FM-Set

C

Mosiądz



Akcesoria opcjonalne



KWC FIT

Trim kit - Lever mixer - Tub

Modell-Linie: FIT | 20.544.502.000

Armatura natryskowa | Baterie wannowe

BLUEBOX Alignment set

537593
Z.537.593

BLUEBOX Extension set 15 mm

537595
Z.537.595

BLUEBOX Excutechon extension

537600
Z.537.600

BLUEBOX Reverse adapter

537953
Z.537.953

Części zamienne



Cartridge M 35 H

538327
Z.537.582