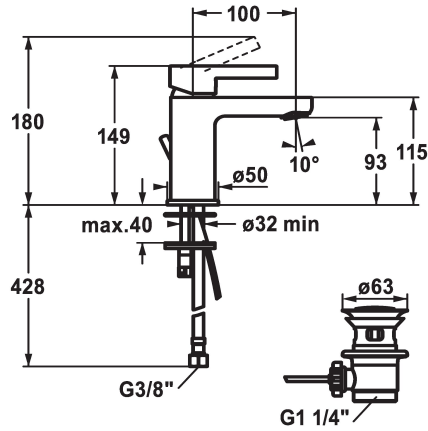


KWC FIT

Lever mixer - Basin

Modell-Linie: FIT | 12.548.041.000FL

Taps | Manual taps



KWC-No.

125414
chromeline, A 100, flexible connection hoses, with pop-up valve

125415
chromeline, A 100, flexible connection hoses, without pop-up valve

- * Lever mixer
- * EcoProtect - water-saving device
- * Fixed spout
- Neoperl® Perlator®
- * KWC cartridge M 35 OP
- with ceramic discs

pop-up valve

with pop-up valve

without pop-up valve

- flow rate and temperature continuously variable
- temperature limitation
- * Flexible connection hoses 3/8"
- * Fastening by means of stud bolt M8 x 1
- * Mounting hole size $\varnothing 35$ mm

Technical Data

Flow rate
pop-up valve
Connection
Spout
Handling
Color code
Installation type
Faucet_typ
Measure Height
Acoustic group
Projection A
Energy label
Dimension Water outlet
material

5 l/min (3 bar)
with pop-up valve
Flexible connection hoses
fixed
top lever
chromeline
Pillar installation
Lever mixer
149
I
A 100
A
93
Brass



Spare Parts

KWC FIT
Lever mixer - Basin

Modell-Linie: FIT | 12.548.041.000FL
Taps | Manual taps



Cartridge M 35 OP

538331
Z.537.710
