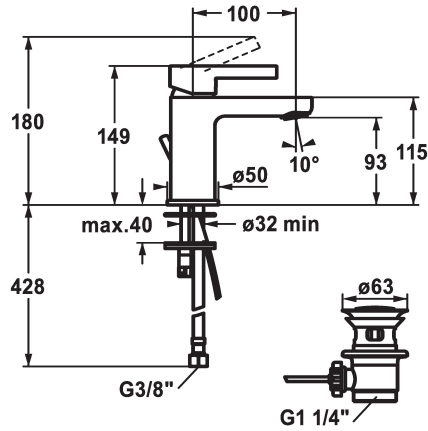


## KWC FIT

Lever mixer - Basin

Modell-Linie: FIT | 12.548.041.000FL  
Taps | Manual taps



### KWC-No.

**125414**  
chromeline, A 100, flexible connection hoses, with pop-up valve

**125415**  
chromeline, A 100, flexible connection hoses, without pop-up valve

- \* Lever mixer
- \* EcoProtect - water-saving device
- \* Fixed spout
- Neoperl® Perlator®
- \* KWC cartridge M 35 OP
- with ceramic discs

### Pop-up\_valve

with pop-up valve

without pop-up valve

- flow rate and temperature continuously variable
- temperature limitation
- \* Flexible connection hoses 3/8"
- \* Fastening by means of stud bolt M8 x 1
- \* Mounting hole size ø35 mm

### Technical Data

Flow rate
Pop-up_valve
Connection
Spout
Handling
Color code
Installation_type
Faucet_typ
Dimension Height
G_Acoustic group
Projection_A
Energy Label
Dimension Water outlet
material

5 l/min (3 bar)
with pop-up valve
Flexible connection hoses
fixed
top lever
chrome
Pillar installation
Lever mixer
149
I
A 100
A
93
Brass



### Spare Parts

**KWC FIT**  
Lever mixer - Basin

**Modell-Linie: FIT | 12.548.041.000FL**  
Taps | Manual taps



**Cartridge M 35 OP**

---

**538331**  
Z.537.710

---