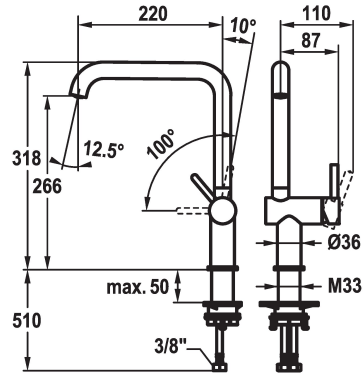


KWC BEVO E Lever mixer - Kitchen

Modell-Linie: BEVO E | 10.531.012.751FL
Taps | Manual taps



KWC-No.

125346
stainless steel, A 220, flexible connection hoses

125347
industrial black, A 220, flexible connection hoses

Color code

stainless steel

industrial black



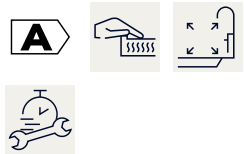
- * Lever mixer
- * Lever installation only possible on the right side
- Child safety: cold water flow in lever position towards the front
- * TouchProtect - anti-scald protection thanks to the "double skin" principle
- * Swivel spout 150°
- Neoperl® Caché® laminar
- * OptimalSpace - ample space for washing or working

- * KWC cartridge S 25
- with ceramic discs
- flow rate and temperature continuously variable
- * Flexible connection hoses 3/8"
- * QuickInstallation - Fastening via threaded connection with locking screws
- * Mounting hole size ø35 mm

Technical Data

Spray: Flow rate	6.4 l/min (3 bar)
Connection	Flexible connection hoses
Spout	swivel
Handling	side lever
Color code	industrial black
Installation type	Pillar installation
Faucet_typ	Lever mixer
Dimension Height	318
Acoustic group	I
Projection A	A 220
Energy label	A
Dimension Water outlet	266
material	stainless steel

Spray: Flow rate	6.4 l/min (3 bar)
Connection	Flexible connection hoses
Spout	swivel
Handling	side lever
Color code	industrial black
Installation type	Pillar installation
Faucet_typ	Lever mixer
Dimension Height	318
Acoustic group	I
Projection A	A 220
Energy label	A
Dimension Water outlet	266
material	stainless steel



Spare Parts

KWC BEVO E Lever mixer - Kitchen

Modell-Linie: BEVO E | 10.531.012.751FL
Taps | Manual taps



Cartridge S 25

538711
Z.536.032

**Service key Neoperl © Caché ©, JR, 21
mm, red**

639017
Z.635.215
