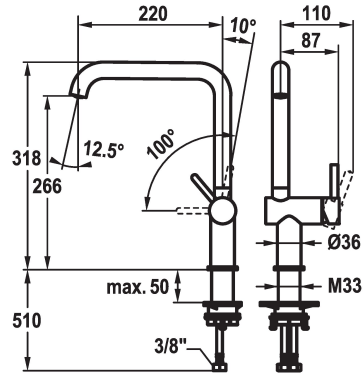


## KWC BEVO E Lever mixer - Kitchen

Modell-Linie: BEVO E | 10.531.012.700FL  
Taps | Manual taps



### KWC-No.

**125346**  
stainless steel, A 220, flexible connection hoses

**125347**  
industrial black, A 220, flexible connection hoses

### Color code

stainless steel

industrial black

NEW

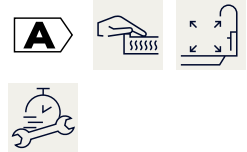
- \* Lever mixer
- \* Lever installation only possible on the right side
- Child safety: cold water flow in lever position towards the front
- \* TouchProtect - anti-scald protection thanks to the "double skin" principle
- \* Swivel spout 150°
- Neoperl® Caché® laminar
- \* OptimalSpace - ample space for washing or working

- \* KWC cartridge S 25
- with ceramic discs
- flow rate and temperature continuously variable
- \* Flexible connection hoses 3/8"
- \* QuickInstallation - Fastening via threaded connection with locking screws
- \* Mounting hole size ø35 mm

### Technical Data

Spray: Flow rate	6.4 l/min (3 bar)
Connection	Flexible connection hoses
Spout	swivel
Handling	side lever
Color code	stainless steel
Installation type	Pillar installation
Faucet_typ	Lever mixer
Dimension Height	318
Acoustic group	I
Projection A	A 220
Energy label	A
Dimension Water outlet	266
material	stainless steel

Spray: Flow rate	6.4 l/min (3 bar)
Connection	Flexible connection hoses
Spout	swivel
Handling	side lever
Color code	stainless steel
Installation type	Pillar installation
Faucet_typ	Lever mixer
Dimension Height	318
Acoustic group	I
Projection A	A 220
Energy label	A
Dimension Water outlet	266
material	stainless steel



### Spare Parts

**KWC** BEVO E  
Lever mixer - Kitchen

Modell-Linie: BEVO E | 10.531.012.700FL  
Taps | Manual taps



Service key Neoperl © Caché ©, JR, 21  
mm, red

---

**639017**  
Z.635.215

---