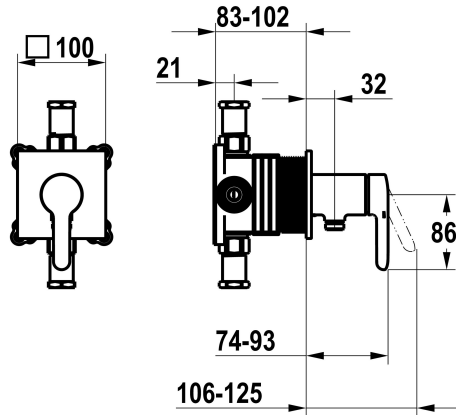


## KWC WAMAS 2.0

Trim kit, with safety device DIN EN 1717 – Lever mixer – Shower

Modell-Linie: WAMAS 2.0 | 21.474.550.000

Showers | Manual shower



### KWC-No.

**125334**

chromeline, trim kit, with safety device DIN EN 1717

NEW

\* Trim kit with function unit KWC HOMEBOX

\* Outflow

- with integrated hose connection

\* KWC cartridge M 35-S HF

- with ceramic discs

- flow rate and temperature continuously variable

\* Scope of delivery:

- Lever mixer unit - with integrated hose connection

- Fastening of the cover plate without screws

\* To be ordered separately:

- Unit for concealed installation KWC HOMEBOX Lever mixer 1

Consumers 39.006.251.931

### Technical Data

Flow rate
Spray outlet: Flow rate
Diameter
Handling
Color code
Installation type
Faucet_typ
Acoustic group
Concealed unit
Energy label
material

16 l/min (3 bar)
16 l/min (3 bar)
100 x 100
front lever
chromeline
Wall mounted
Lever mixer
I
Trim kit, with vacuum breaker
C
Brass



### Spare Parts





## **KWC** WAMAS 2.0

Trim kit, with safety device DIN EN 1717 – Lever mixer – Shower

**Modell-Linie: WAMAS 2.0 | 21.474.550.000**  
Showers | Manual shower

### **Cartridge M 35-S HF**

---

**537602**  
Z.537.602

---