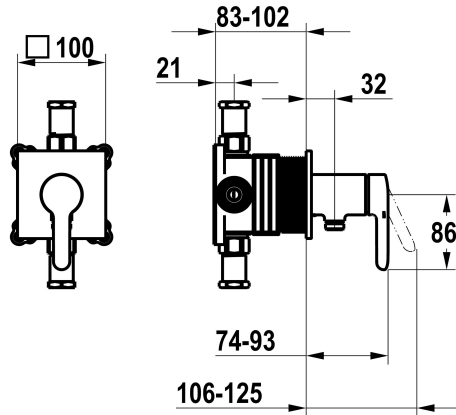


## KWC WAMAS 2.0

Trim kit, with safety device DIN EN 1717 – Lever mixer – Shower

Modell-Linie: WAMAS 2.0 | 21.474.550.000

Showers | Manual shower



### KWC-No.

**125334**

chromeline, trim kit, with safety device DIN EN 1717

NEW

- \* Trim kit with function unit KWC HOMEBOX
- \* Outflow
  - with integrated hose connection
- \* KWC cartridge M 35-S HF
  - with ceramic discs
  - flow rate and temperature continuously variable

- \* Scope of delivery:
  - Lever mixer unit - with integrated hose connection
  - Fastening of the cover plate without screws
- \* To be ordered separately:
  - Unit for concealed installation KWC HOMEBOX Lever mixer 1 Consumers 39.006.251.931

### Technical Data

|                         |
|-------------------------|
| Flow rate               |
| Spray outlet: Flow rate |
| Diameter                |
| Handling                |
| Color code              |
| Installation_type       |
| Faucet_typ              |
| G_Acoustic group        |
| Concealed_unit          |
| Energy Label            |
| material                |

|                               |
|-------------------------------|
| 16 l/min (3 bar)              |
| 16 l/min (3 bar)              |
| 100 x 100                     |
| front lever                   |
| chrome                        |
| Wall mounted                  |
| Lever mixer                   |
| I                             |
| Trim kit, with vacuum breaker |
| C                             |
| Brass                         |



### Spare Parts





## **KWC** WAMAS 2.0

Trim kit, with safety device DIN EN 1717 – Lever mixer – Shower

**Modell-Linie: WAMAS 2.0 | 21.474.550.000**  
Showers | Manual shower

### **Cartridge M 35-S HF**

---

**537602**  
Z.537.602

---