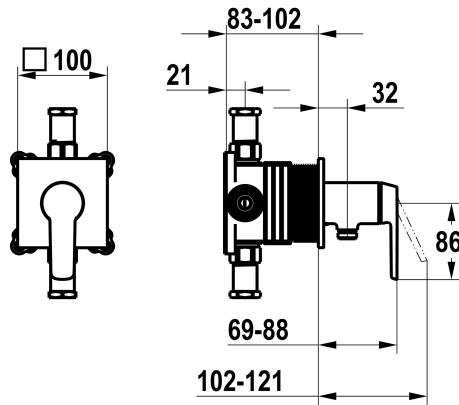


KWC MONTA

Trim kit, with safety device DIN EN 1717 – Lever mixer – Shower

Modell-Linie: MONTA | 21.414.550.000
Showers | Manual shower



KWC-No.

125333

chromeline, trim kit, with safety device DIN EN 1717

NEW

- * Trim kit with function unit KWC HOMEBOX
- * Outflow
 - with integrated hose connection
- * KWC cartridge M 35-S HF
 - with ceramic discs
 - flow rate and temperature continuously variable

- * Scope of delivery:
 - Lever mixer unit - with integrated hose connection
 - Fastening of the cover plate without screws
- * To be ordered separately:
 - Unit for concealed installation KWC HOMEBOX Lever mixer 1 Consumers 39.006.251.931

Technical Data

| |
|-------------------|
| Flow rate |
| Diameter |
| Handling |
| Color code |
| Installation type |
| Faucet_typ |
| Acoustic group |
| Concealed unit |
| Energy label |
| material |

| |
|-------------------------------|
| 16 l/min (3 bar) |
| 100 x 100 |
| front lever |
| chromeline |
| Wall mounted |
| Lever mixer |
| I |
| Trim kit, with vacuum breaker |
| C |
| Brass |



Spare Parts



Cartridge M 35-S HF

537602



KWC MONTA

Trim kit, with safety device DIN EN 1717 – Lever mixer – Shower

Modell-Linie: MONTA | 21.414.550.000
Showers | Manual shower

Z.537.602
