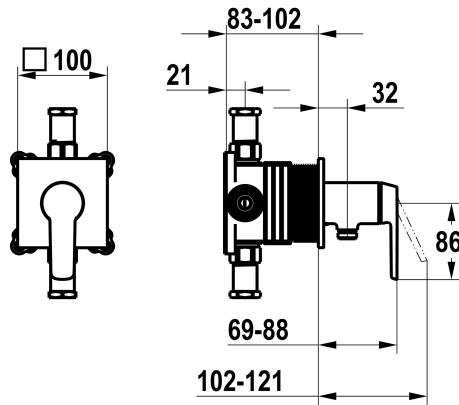


KWC MONTA

Trim kit, with safety device DIN EN 1717 – Lever mixer – Shower

Modell-Linie: MONTA | 21.414.550.000
Sprchové armatury | Hydraulické sprchy



KWC-No.

125333

chromeline, trim kit, with safety device DIN EN 1717

- * Trim kit with function unit KWC HOMEBOX
- * Outflow
 - with integrated hose connection
- * KWC cartridge M 35-S HF
 - with ceramic discs
 - flow rate and temperature continuously variable

- * Scope of delivery:
 - Lever mixer unit - with integrated hose connection
 - Fastening of the cover plate without screws
- * To be ordered separately:
 - Unit for concealed installation KWC HOMEBOX Lever mixer 1 Consumers 39.006.251.931

NEW

Technické údaje

ATT-KWC-A_ABGANG_UP

16 l/min (3 bar)

ATT-KWC-DURCHMESSER

100x100

Handling

frontbedient

ATT-KWC-FARBCODE

chromeline

Installation_type

montáž na stěnu

Faucet_typ

Hebelmischer

G_Acoustic group

I

ATT-KWC-UNTERPUTZ

FM-Set mit SI

EnergyLabelCH

C

Materiál

mosaz



Náhradní díly



Cartridge M 35-S HF

537602



KWC MONTA

Trim kit, with safety device DIN EN 1717 – Lever mixer – Shower

Modell-Linie: MONTA | 21.414.550.000
Sprchové armatury | Hydraulické sprchy

Z.537.602
