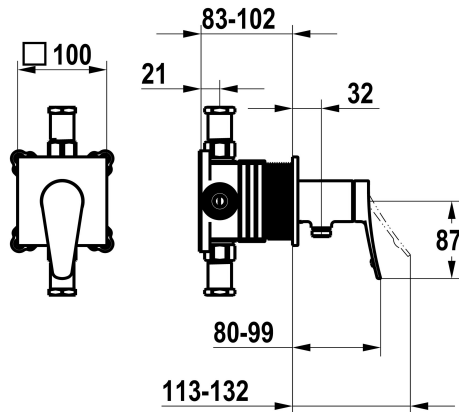


KWC ACTIVO

Trim kit, with safety device DIN EN 1717 – Lever mixer – Shower

Modell-Linie: ACTIVO | 21.404.550.000

Armatura natryskowa | Armatura z zaworami obsługiwanymi ręcznie



KWC-No.

125332

chromeline, trim kit, with safety device DIN EN 1717

NEW

- * Trim kit with function unit KWC HOMEBOX
- * Outflow
 - with integrated hose connection
- * KWC cartridge M 35-S HF
 - with ceramic discs
 - flow rate and temperature continuously variable

- * Scope of delivery:
 - Lever mixer unit with integrated hose connection
 - Fastening of the cover plate without screws
- * To be ordered separately:
 - Unit for concealed installation KWC HOMEBOX Lever mixer 1 Consumers 39.006.251.931

Dane techniczne

ATT-KWC-A_ABGANG_UP
średnicy
Handling
ATT-KWC-FARBCODE
Installation_type
Faucet_typ
G_Acoustic group
ATT-KWC-UNTERPUTZ
EnergyLabelCH
Materiał

16 l/min (3 bar)
100x100
frontbedient
chromeline
Montaż naścienny
Hebelmischer
I
FM-Set mit SI
C
Mosiądz



Części zamienne



Cartridge M 35-S HF

537602



KWC ACTIVO

Trim kit, with safety device DIN EN 1717 – Lever mixer – Shower

Modell-Linie: ACTIVO | 21.404.550.000

Armatura natryskowa | Armatura z zaworami obsługiwanymi ręcznie

Z.537.602
