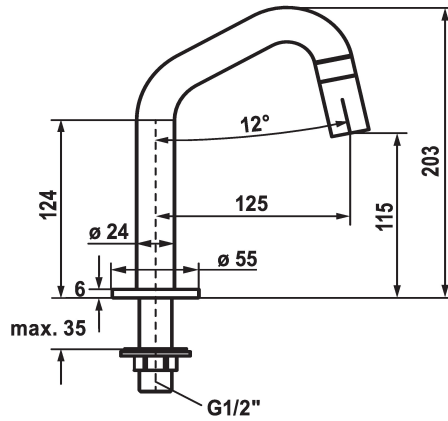


## KWC STANDVENTIL Vertical shut-off valve

Modell-Linie: STANDVENTIL | 25.001.011.751  
Hanat | Käsi käyttöiset hanat



### KWC-No.

**125328**  
stainless steel, A 125, G 1/2"

**125329**  
industrial black, A 125, G 1/2"

- \* Vertical shut-off valve
- \* Operating handle integrated into the spout
- \* Fixed spout
- Neoperl® Caché®

### ATT-KWC-FARBCODE

stainless steel

industrial black

- \* Ceramic disc valve 1/2" 90°
- \* Connecting thread 1/2"
- \* Mounting hole size ø22mm or ø35mm

### Tekniset tiedot

A\_Spout\_Spray

Connection

Handling

ATT-KWC-FARBCODE

Installation\_type

Faucet\_typ

ATT-KWC-BAUFORM

Measure\_Height

G\_Acoustic group

Projection\_A

EnergyLabelCH

IviCode

5 l/min (3 bar)

G1/2"

frontbedient

industrial black

Standmontage

Standventil

J-Spout

203

I

A125

A

0



### Varaosat





**KWC** STANDVENTIL  
Vertical shut-off valve

**Modell-Linie: STANDVENTIL | 25.001.011.751**  
Hanat | Käsi­käyt­toiset hanat

**Service key Neoperl © Caché ©, JR, 21  
mm, red**

---

**639017**  
Z.635.215

---